

New Sizing for MK-1 & MK-1 Ultra

64N, 70N, 70W, 76N, 76W, 82N, 82W

The first number is the measurement of the Firefighter's index finger. The second part of the size, the letter, comes from the width of the Firefighter's hand across the knuckles. Please see the below diagram chart from NFPA 1971-2018, Protective Ensembles for Structural Firefighting and Proximity Fire Fighting, for how to size the Firefighter's hand.



FIGURE 6.7.5(b) Measurement Location for Hand Breadth.

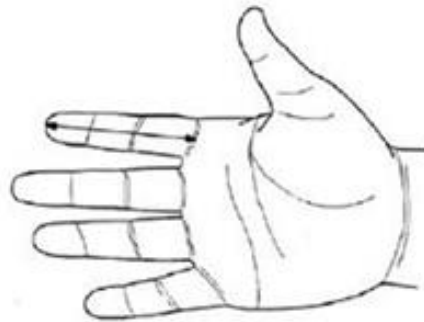
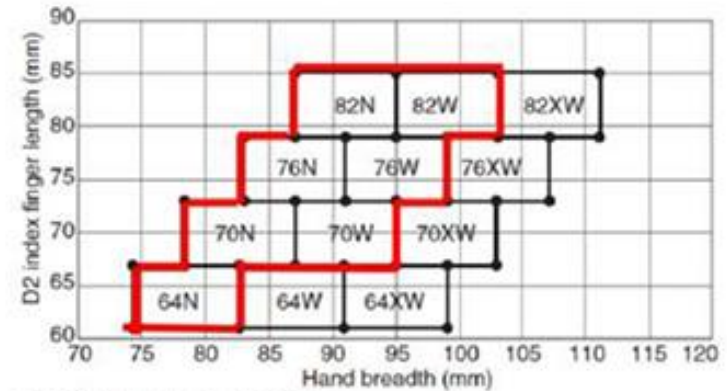


FIGURE 6.7.5(a) Measurement Location for Index Finger Length.



For U.S. units, 1 mm = 0.394 in.

FIGURE 6.7.6.1 NFPA 1971 Size Definitions.

