

RED

PROFESSIONAL WARNING AND LIGHTING



Whelen
Engineering

whelen.com

WHELEN

Table of Contents

| | | | |
|------------------|----|----------------------------|----|
| Whelen History | i | Dash & Deck | 27 |
| Quick Reference | ii | Lighthead | 30 |
| Lightbars | 1 | White Illumination | 54 |
| Mini Lightbars | 18 | Auditory Warning & Control | 67 |
| Traffic Advisor™ | 21 | Lighting Certifications | 79 |
| Beacons | 23 | Product Index | 80 |

About Whelen

Whelen revolutionized emergency warning technology with the invention of the first rotating “anti-collision” beacon in 1952. Today, Whelen continues to push the boundaries of innovation with reliable and powerful lights, sirens, control systems, and software.

Whelen encompasses two state-of-the-art facilities in Connecticut and New Hampshire, with over 750,000 square feet of engineering and manufacturing space. Whelen’s 1,200 employees are committed to creating products that enhance first responder and civilian safety the way only Whelen can.

With quality as our foundation, we celebrate innovative engineering in every product we produce.



Chester, Connecticut, facility



Charlestown, New Hampshire, facility




Visit us at

whelen.com

to learn about our full line of emergency lighting and warning products

WhelenEng    

 WARNING: This product may contain chemicals known to the State of California to cause cancer and birth defects or other reproductive harm. For more information, visit whelen.com/regulatory.

Icon Legend



Tech Glossary

Conformal Coating

A thin material that conforms to the contours of the PCB to protect the electronic components from harsh environments and impact.

DUO™

Two color interleaved

DUO+™

Two color interleaved with independent control of color one and color two

DYAD™

Two level technology

Encapsulated

Lighthoods are fully encapsulated for moisture and vibration resistance.

Hard-Coat

Our industry-first innovative Hard-Coating process counteracts the effects of environmental and chemical damages to our lenses and domes.

Linear-LED® - (Super-LED)

Whelen's patented use of Generation 3.5 diodes and unique reflector optics to produce highly intense light that has superior wide-angle visibility and rivals strobe in performance.

Low Current

Low current function wires require less than ¼ amp to operate, allowing for simple operation of each lightbar function.

Proclera® Silicone Optics

Whelen's innovative and efficient solution to distorted optical shape and fringe lighting. Proclera Optics feature 100% internal silicone optic technology, an increased ability to harness LED output and better direct and focus light, and a full-fill Square TIR optic to increase optic efficiency compared to a conventional circular TIR.

ProFocus™

Whelen's innovative single optic LED technology that can be customized and programmed as a spotlight or floodlight, with no moving parts.

Rota-Beam™

Solid-state "rotating" technology, simulating the appearance of a rotating beacon without any moving parts or motors for long-life reliability.

Scan-Lock™

Whelen's advanced method of changing a products flash pattern. Scan-Lock utilizes an external wire to allow the user to cycle through the entire range of flash patterns, allowing for full customization.

Scan-Lock+

The Scan-Lock+ app is the simplest way to change Whelen flash patterns. Designed for optimal convenience, Scan-Lock+ features an easy to use interface and utilizes a Bluetooth connection. Download the Scan-Lock+ app and browse, test, and assign Whelen flash patterns right from your phone.

SOLO™

Single color

Split

Two color lighthood where each color fills half of the reflector

SmartLED®

Whelen's distinctive use of self-contained electronics to power and flash a particular LED product. These products require no external flasher, ballast, or power supply to operate.

Standard Current

Lightbar functions are wired directly to the switching device and require switches that are matched to the current draw of the desired functions to be activated.

Super-LED®

Whelen's innovative LED technology

Sync

Sync provides the ability to connect multiple Whelen devices to flash together or in alternating patterns. Products with this capability allow the user to create coordinating flashing schemes.

TIR - (Super-LED)

Whelen's optimized use of Generation 3.5 diodes and unique optics to produce highly intense light that is somewhat directional in nature.

TRIO™

Three color interleaved with independent control of color one, color two, and color three

WeCad™

Engineered for optimal accessibility, WeCad lightbar designer delivers the ability to design custom Whelen lightbars with every available option. Adding R65 compliant options is simple, and a bill of materials will be generated to make ordering fast and easy.

WeCan®

Whelen's proprietary CAN based communication system

WeCanX®

Whelen's smartest and most powerful CAN-based communication system. WeCanX provides true system synchronization, greater speed capabilities, expanded peripheral add-ons, and full support of diagnostics.

WARNING: This product may contain chemicals known to the State of California to cause cancer and birth defects or other reproductive harm. For more information, visit whelen.com/regulatory.

W Lightbars



NFPA Lightbars



Download WeCad™ for models and options
whelen.com/eng_apps



FEATURES

- Freedom® IV platform now available
- Designed exclusively for the rigorous standards of the Fire/EMS market
- For complete details and models, request the current NFPA 1901 Specifications Handbook
- Hard-coated lenses
- Meets zone “A” upper requirements of NFPA 1901 specifications
- See model specific pages for dimensions

MODELS

| Models | Description |
|-----------|--|
| F4N2VLED | Freedom IV LC Series, four Red corners and four front (2 Red/2 White), 55" (140cm) L |
| F4N0VLED | Freedom IV LC Series, four Red corners and four front (2 Red/2 White), 60" (152cm) L |
| F4N7VLED | Freedom IV LC Series, four Red corners and four front (2 Red/2 White), 72" (183cm) L |
| F4N2QLED | Freedom IV LC Series, two Red front corners and four front (2 Red/2 White) and two end Red, square ends, 55" (140cm) L |
| F4N0QLED | Freedom IV LC Series, two Red front corners and four front (2 Red/2 White) and two end Red, square ends, 60" (152cm) L |
| F4N7QLED | Freedom IV LC Series, two Red front corners and four front (2 Red/2 White) and two end Red, square ends, 72" (183cm) L |
| F4NMINI | Mini Freedom IV, two Red front corners, two front center White and one Red end, sold in pairs, 21.5" (55cm) L |
| JE2NFPA | Justice® CS Series, four corner Red Linear-LED®s, six front CON3®s (4 Red/2 White), 56" (142cm) L |
| JE0NFPA | Justice CS Series, four corner Red Linear-LEDs, six front CON3s (4 Red/2 White), 62" (157cm) L |
| JE2QNFPFA | Justice CS Series, two Red Linear-LED® front corners, six front CON3s (4 Red/2 White), and two end Red, square ends, 56" (142cm) L |
| JE0QNFPFA | Justice CS Series, two Red Linear-LED® front corners, six front CON3s (4 Red/2 White), and two end Red, square ends, 62" (157cm) L |
| F4N1QLED | Freedom IV LC Series, two Red front corners and four front (2 Red/2 White) and two end Red, square ends, 81" (206cm) L |
| F4N1VLED | Freedom IV LC Series, four Red corners and four front (2 Red/2 White), 81" (206cm) L |
| F4N9QLED | Freedom IV LC Series, two Red front corners and four front (2 Red/2 White) and two end Red, square ends, 92" (234cm) L |
| F4N9VLED | Freedom IV LC Series, four Red corners and four front (2 Red/2 White), 92"(243cm) L |

WARNING: This product may contain chemicals known to the State of California to cause cancer and birth defects or other reproductive harm. For more information, visit whelen.com/regulatory.



Freedom[®] IV DUO[™] & DYAD[™] Series


5YR 12 24 WeCan[®] X SCAN LOCK NFPA 1901 CONTRIBUTOR ISOLO[™] DUO[™] W E C A N X.

Download WeCad[™] for models and options
whelen.com/eng_apps



FEATURES

- New WeCanX[®] models available
- SAE Class 1 Certified
- Extruded aluminum platform for long-life dependability
- Clear outer domes with Clear dividers
- Hard-coated lenses
- 100% solid-state electronics
- 16' exit cable (25' exit cable for 72" length bars)
- WeCan[®] DYAD two level technology (single or two color) allows for individual control of each level of each lighthouse
- WeCan DUO[™] technology (two color) allows for individual control of each color and each lighthouse, while providing a large aspect ratio of warning and illumination
- Linear Super-LED[®] optics

 WARNING: This product may contain chemicals known to the State of California to cause cancer and birth defects or other reproductive harm. For more information, visit whelen.com/regulatory.



MODELS

| Models | Description |
|----------|---|
| F4X4**** | Low Current, 44.5", 4 Red, Blue, Amber and/or White, single color modules |
| F4X8**** | Low Current, 49.25", 4 Red, Blue, Amber and/or White, single color modules |
| F4X2**** | Low Current, 55", 4 Red, Blue, Amber and/or White, single color modules |
| F4X0**** | Low Current, 60", 4 Red, Blue, Amber and/or White, single color modules |
| F4X7**** | Low Current, 72", 4 Red, Blue, Amber and/or White, single color modules |
| F4W4**** | WeCan, 44.5", 4 Red, Blue, Amber and/or White, single or two color over/under modules |
| F4W8**** | WeCan, 49.25", 4 Red, Blue, Amber and/or White, single or two color over/under modules |
| F4W2**** | WeCan, 55", 4 Red, Blue, Amber and/or White, single or two color over/under modules |
| F4W0**** | WeCan, 60", 4 Red, Blue, Amber and/or White, single or two color over/under modules |
| F4W7**** | WeCan, 72", 4 Red, Blue, Amber and/or White, single or two color over/under modules |
| K4W4**** | WeCanX®, 44.5", 4 Red, Blue, Amber and/or White, single or two color over/under modules |
| K4W8**** | WeCanX, 49.25", 4 Red, Blue, Amber and/or White, single or two color over/under modules |
| K4W2**** | WeCanX, 55", 4 Red, Blue, Amber and/or White, single or two color over/under modules |
| K4W0**** | WeCanX, 60", 4 Red, Blue, Amber and/or White, single or two color over/under modules |
| K4W7**** | WeCanX, 72", 4 Red, Blue, Amber and/or White, single or two color over/under modules |
| K424#### | WeCanX, 44.5", 4 Blue/White or Red/White DUO modules |
| K428#### | WeCanX, 49.25", 4 Blue/White or Red/White DUO™ modules |
| K422#### | WeCanX, 55", 4 Blue/White or Red/White DUO™ modules |
| K420#### | WeCanX, 60", 4 Blue/White or Red/White DUO™ modules |
| K427#### | WeCanX, 72", 4 Blue/White or Red/White DUO™ modules |

● ● ● ● ● ●
 Replace * symbol in model number with letter indicating color desired: A=Amber, B=Blue, R=Red, C=White
 Replace # in model number with interleaved color desired: D=Red/White, E=Blue/White

OPTIONS



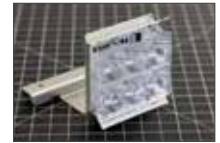
6-LED take-down



Long lighthouse



Short lighthouse



6-LED alley light

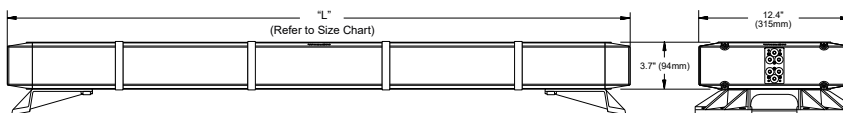


Filter



Rota-Beam™ module

DIMENSIONS



"L" Size Chart

| | | | | |
|-------------------|-----------------|-----------------|-----------------|-----------------|
| 44.5" (1130mm) | 49" (1251mm) | 55" (1397mm) | 60" (1524mm) | 72" (1829mm) |
|-------------------|-----------------|-----------------|-----------------|-----------------|

WARNING: This product may contain chemicals known to the State of California to cause cancer and birth defects or other reproductive harm. For more information, visit whelen.com/regulatory.

Freedom[®] IV Rota-Beam[™] Series



Download WeCad[™] for models and options
whelen.com/eng_apps



FEATURES

- SAE Class 1 Certified
- Extruded aluminum platform for long-life dependability
- Clear outer domes with Clear dividers
- Hard-coated lenses
- 100% solid-state electronics
- 16' exit cable (25' exit cable for 72" length bars)
- Rotating Super-LED[®] Technology
- Single color corner modules available in Red, or White

MODELS

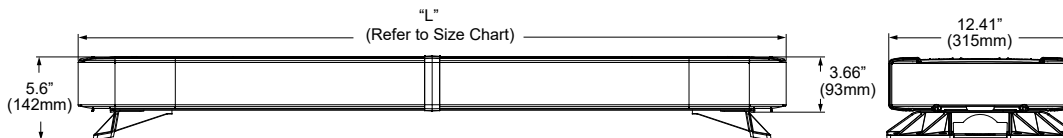
| Models | Description |
|----------|--|
| F4R2**** | 55", 4 Red, or White, single color modules |
| F4R0**** | 60", 4 Red, or White, single color modules |
| F4R7**** | 72", 4 Red, or White, single color modules |

● ●
 Replace * symbol in model number with letter indicating color desired:
 R=Red, C=White

OPTIONS



DIMENSIONS



"L" Size Chart

| | | |
|---------|---------|---------|
| 55" | 60" | 72" |
| (140cm) | (152cm) | (183cm) |

⚠ WARNING: This product may contain chemicals known to the State of California to cause cancer and birth defects or other reproductive harm. For more information, visit whelen.com/regulatory.

Justice[®] Series



Download WeCad™ for models and options
whelen.com/eng_apps



FEATURES

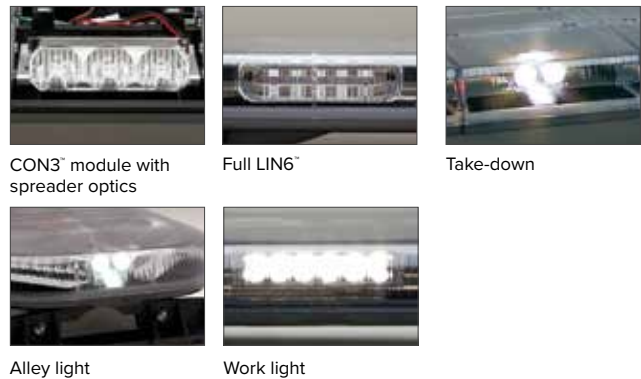
- SAE Class 1 Certified
- Advanced Thermal Design improves LED performance during extended operation
- Extruded aluminum platform and polycarbonate base
- Hard-coated lenses
- Easily upgraded or serviced in the field
- Plug & Play into Whelen WeCan® products
- Available with Clear, Smoked, or color lenses

MODELS

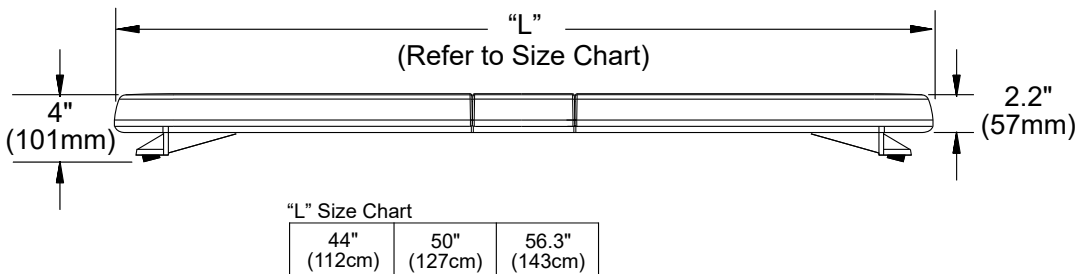
| Models | Description |
|---------|--|
| JC4**** | 44", Extended 9 diode linear-LED corners |
| JC8**** | 50.125", Extended 9 diode linear-LED corners |
| JC2**** | 56.25", Extended 9 diode linear-LED corners |
| JE4**** | 44", Standard 6 diode linear-LED corners |
| JE8**** | 50.125", Standard 6 diode linear-LED corners |
| JE2**** | 56.25", Standard 6 diode linear-LED corners |

● ● ● ●
 Replace * symbol in model number with letter indicating color desired:
 A=Amber, B=Blue, R=Red, C=White

OPTIONS



DIMENSIONS



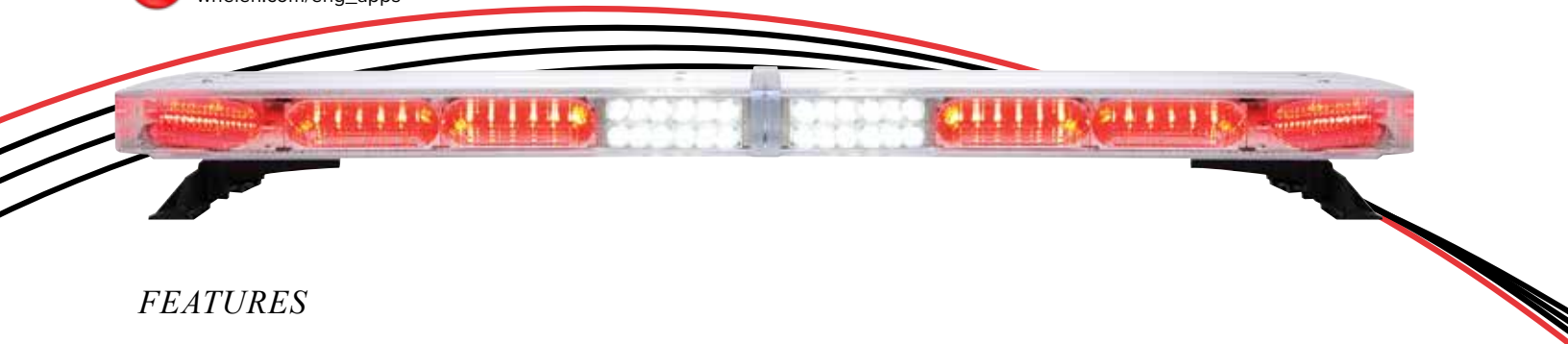
WARNING: This product may contain chemicals known to the State of California to cause cancer and birth defects or other reproductive harm. For more information, visit whelen.com/regulatory.

Liberty™ II Series

ISOLO™ DUO+™ TRIO™ PROCLERA™ PROFOCUS™ W E C A N X.



Download WeCad™ for models and options
whelen.com/eng_apps



FEATURES

- New WeCan® models available
- SAE Class 1 Certified
- Advanced Thermal Design improves LED performance during extended operation
- TRIO™ three colored Linear Super-LED® models are available in six pre-configured lighting packages
- Aluminum top repels hail and other environmental damages
- Extruded aluminum platform
- Center dividers with Liquid Injection Molded seals protect internal components from water intrusion
- One piece UNI-DOME construction with a single sealing point assures lightbar integrity in all weather conditions
- Proclera® Silicone Optics (available in take-down lights)
- Hard-coated lenses
- Plug & Play into Whelen WeCan® products
- Available with Clear, Smoked, or color lenses

MODELS

| Models | Description |
|---------|---|
| IX4**** | 44" SOLO, single color, Red, Blue, Amber and/or White |
| IX8**** | 48" SOLO, single color, Red, Blue, Amber and/or White |
| IX2**** | 54" SOLO, single color, Red, Blue, Amber and/or White |
| IW4**** | 44" WeCan®, single color, Red, Blue, Amber and/or White |
| IW8**** | 48" WeCan, single color, Red, Blue, Amber and/or White |
| IW2**** | 54" WeCan, single color, Red, Blue, Amber and/or White |
| IB4**** | 44" DUO+, WeCan single color, Red, Blue, Amber or White |
| IB8**** | 48" DUO+, WeCan single color, Red, Blue, Amber or White |
| IB2**** | 54" DUO+ WeCan single color, Red, Blue, Amber or White |
| IB4#### | 44" DUO+ Color, Red, Blue, Amber and/or White |
| IB8#### | 48" DUO+ Color, Red, Blue, Amber and/or White |
| IB2#### | 54" DUO+ Color, Red, Blue, Amber and/or White |

Replace * symbol in model number with letter indicating color desired:
 A=Amber, B=Blue, R=Red, C=White

Replace # in model number with interleaved color desired: D=Red/White, E=Blue/White, F=Amber/White, J=Red/Blue, K=Red/Amber, M=Blue/Amber

OPTIONS



Long lighthead



12-LED take-down



Short lighthead



Filter

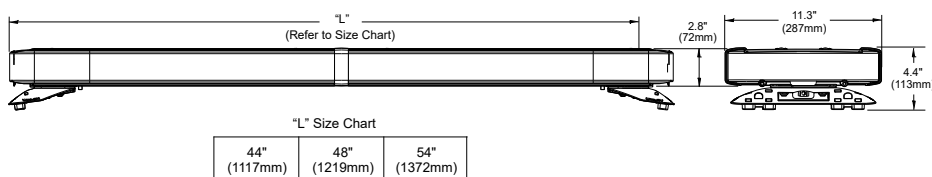


3-LED Proclera take-down



Alley light


DIMENSIONS




WARNING: This product may contain chemicals known to the State of California to cause cancer and birth defects or other reproductive harm. For more information, visit whelen.com/regulatory.

WECANX® MODELS

| Models | Description |
|---------|---|
| IX4**** | 44" SOLO™, single color, Red, Blue, Amber and/or White |
| IX8**** | 48" SOLO, single color, Red, Blue, Amber and/or White |
| IX2**** | 54" SOLO, single color, Red, Blue, Amber and/or White |
| IW4**** | 44" WeCan®, single color, Red, Blue, Amber and/or White |
| IW8**** | 48" WeCan, single color, Red, Blue, Amber and/or White |
| IW2**** | 54" WeCan, single color, Red, Blue, Amber and/or White |
| IB4**** | 44" DUO+, WeCan single color, Red, Blue, Amber or White |
| IB8**** | 48" DUO+, WeCan single color, Red, Blue, Amber or White |
| IB2**** | 54" DUO+ WeCan single color, Red, Blue, Amber or White |
| IB4#### | 44" DUO+ color, Red, Blue, Amber and/or White |
| IB8#### | 48" DUO+ color, Red, Blue, Amber and/or White |
| IB2#### | 54" DUO+ color, Red, Blue, Amber and/or White |
| BW4**** | 44" Single color, Red, Blue, Amber and/or White |
| BW8**** | 48" Single color, Red, Blue, Amber and/or White |
| BW2**** | 54" Single color, Red, Blue, Amber and/or White |
| BH8**** | 48" Single color, Red, Blue, Amber and/or White, with center section for 795H, strobe or center LED warning |
| BH2**** | 54" Single color, Red, Blue, Amber and/or White, with center section for 795H, strobe or center LED warning |
| BB4**** | 44" Single color, Red, Blue, Amber or White |
| BB8**** | 48" Single color, Red, Blue, Amber or White |
| BB2**** | 54" Single color, Red, Blue, Amber or White |
| BJ8**** | 48" Single color, Red, Blue, Amber or White, with center section for 795H, strobe or center LED warning |
| BJ8#### | 48" DUO+™ color, Red, Blue, Amber and/or White, with center section for 795H, strobe or center LED warning |
| BJ2**** | 54" Single color, Red, Blue, Amber or White, with center section for 795H, strobe or center LED warning |
| BJ2#### | 54" DUO+ color, Red, Blue, Amber and/or White, with center section for 795H, strobe or center LED warning |
| BB4#### | 44" DUO+ color, Red, Blue, Amber and/or White |
| BB8#### | 48" DUO+ color, Red, Blue, Amber and/or White |
| BB2#### | 54" DUO+ color, Red, Blue, Amber and/or White |
| B341 | 44", TRIO1, Red/Blue with White illumination |
| B381 | 48", TRIO1, Red/Blue with White illumination |
| B321 | 54", TRIO1, Red/Blue with White illumination |
| B342 | 44", TRIO2, Red/Blue with Traffic Advisor™ and White illumination |
| B382 | 48", TRIO2, Red/Blue with Traffic Advisor™ and White illumination |
| B322 | 52", TRIO2, Red/Blue with Traffic Advisor™ and White illumination |
| B343 | 44", TRIO3, Red and Blue Warning with Green command corners and White illumination inboards |
| B383 | 48", TRIO3, Red and Blue Warning with Green command corners and White illumination inboards |
| B323 | 54", TRIO3, Red and Blue Warning with Green command corners and White illumination inboards |
| B344 | 44", TRIO4, Red and Blue Warning with Amber Traffic Advisor™ and Green command corners and White illumination front and rear inboards |
| B384 | 48", TRIO4, Red and Blue Warning with Amber Traffic Advisor™ and Green command corners and White illumination front and rear inboards |
| B324 | 54", TRIO4, Red and Blue Warning with Amber Traffic Advisor™ and Green command corners and White illumination front and rear inboards |
| B345 | 44", TRIO5, Red/Blue with White illumination to the front and rear corners and Red/Blue/Amber rear inboards |
| B385 | 48", TRIO5, Red/Blue with White illumination to the front and rear corners and Red/Blue/Amber rear inboards |
| B325 | 54", TRIO5, Red/Blue with White illumination to the front and rear corners and Red/Blue/Amber rear inboards |
| B346 | 44", TRIO6, Red/Blue with Green corners and White illumination front inboards and Red/Blue/Amber rear inboards |
| B386 | 48", TRIO6, Red/Blue with Green corners and White illumination front inboards and Red/Blue/Amber rear inboards |
| B326 | 54", TRIO6, Red/Blue with Green corners and White illumination front inboards and Red/Blue/Amber rear inboards |



Replace * symbol in model number with letter indicating color desired: A=Amber, B=Blue, R=Red, C=White
 Replace # in model number with interleaved color desired: D=Red/White, E=Blue/White, F=Amber/White, J=Red/Blue, K=Red/Amber, M=Blue/Amber

 WARNING: This product may contain chemicals known to the State of California to cause cancer and birth defects or other reproductive harm. For more information, visit whelen.com/regulatory.

Legacy[®] Series



ISOLO™ DUO+™ TRIO™ W E C A N X.

Download WeCad™ for models and options
whelen.com/eng_apps



FEATURES

- New WeCanX[®] models available
- SAE Class 1 Certified
- Advanced Thermal Design improves LED performance during extended operation
- TRIO™ three colored Linear Super-LED[®] models are available in six pre-configured lighting packages
- Aluminum top repels hail and other environmental damages
- Extruded aluminum platform
- Center dividers with Liquid Injection Molded seals protect internal components from water intrusion
- One piece UNI-DOME construction with a single sealing point assures lightbar integrity in all weather conditions
- Proclera[®] Silicone Optics (available in take-down lights)
- Hard-coated lenses
- Plug & Play into Whelen WeCan[®] products
- Available with Clear or Smoked lenses

MODELS

| Models | Description |
|---------|--|
| GS4**** | 44" SOLO™ WeCan single color, Red, Blue, Amber and/or White |
| GS8**** | 48" SOLO WeCan single color, Red, Blue, Amber and/or White |
| GS2**** | 54" SOLO WeCan single color, Red, Blue, Amber and/or White |
| GB4**** | 44" DUO+™ WeCan single color Red, Blue, Amber and/or White |
| GB4#### | 44" DUO+ WeCan two color Red, Blue, Amber and/or White |
| GB8**** | 48" DUO+ WeCan single color Red, Blue, Amber or White |
| GB8#### | 48" DUO+ WeCan two color Red, Blue, Amber and/or White |
| GB2**** | 54" (136cm), DUO+ WeCan single color Red, Blue, Amber and/or White |
| GB2#### | 54" (136cm), DUO+ WeCan two color Red, Blue, Amber and/or White |

Replace * symbol in model number with letter indicating color desired: A=Amber, B=Blue, R=Red, C=White
 Replace # in model number with interleaved color desired: D=Red/White, E=Blue/White, F=Amber/White, J=Red/Blue, K=Red/Amber, M=Blue/Amber

OPTIONS



Alley light

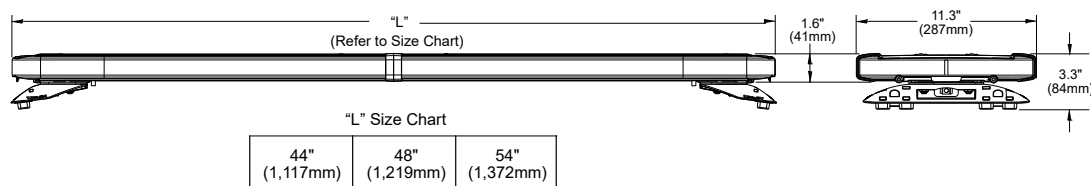


3-LED take-down



6-LED take-down

DIMENSIONS




WARNING: This product may contain chemicals known to the State of California to cause cancer and birth defects or other reproductive harm. For more information, visit whelen.com/regulatory.

WECANX[®] MODELS

| Models | Description |
|---------|--|
| ES4**** | 44" Single Color, Red, Blue, Amber and/or White |
| ES8**** | 48" Single Color, Red, Blue, Amber and/or White |
| ES2**** | 54" Single Color, Red, Blue, Amber and/or White |
| EB4**** | 44", 4 Single Color Red, Blue, Amber and/or White |
| EB4#### | 44", 4 Two Color Red, Blue, Amber and/or White |
| EB8**** | 48", 4 Single Color Red, Blue, Amber or White |
| EB8#### | 48", 4 Two Color Red, Blue, Amber and/or White |
| EB2**** | 54", 4 Single Color Red, Blue, Amber and/or White |
| E341 | 44", TRIO1, Red/Blue with White illumination |
| E381 | 48", TRIO1, Red/Blue with White illumination |
| E321 | 54", TRIO1, Red/Blue with White illumination |
| E342 | 44", TRIO2, Red/Blue with White illumination front and rear corners, Red/Amber/White Driver rear inboard and Blue/Amber/White passenger inboard |
| E382 | 48", TRIO2, Red/Blue with White illumination front and rear corners, Red/Amber/White driver rear inboard and Blue/Amber/White passenger inboard |
| E322 | 54", TRIO2, Red/Blue with White illumination front and rear corners, Red/Amber/White driver rear inboard and Blue/Amber/White passenger inboard |
| E343 | 44", TRIO3, Red/Blue with Green corners and White illumination front and rear inboards |
| E383 | 48", TRIO3, Red/Blue with Green corners and White illumination front and rear inboards |
| E323 | 54", TRIO3, Red/Blue with Green corners and White illumination front and rear inboards |
| E344 | 44", TRIO4, Red/Blue with Green corners and White illumination front inboards and Red/Amber/White driver rear inboard and Blue/Amber/White passenger inboard |
| E384 | 48", TRIO4, Red/Blue with Green corners and White illumination front inboards and Red/Amber/White driver rear inboard and Blue/Amber/White passenger inboard |
| E324 | 54", TRIO4, Red/Blue with Green corners and White illumination front inboards and Red/Amber/White driver rear inboard and Blue/Amber/White passenger inboard |
| E345 | 44", TRIO5, Red/Blue with White illumination to the Front and Rear corners and Red/Blue/Amber rear inboards |
| E385 | 48", TRIO5, Red/Blue with White illumination to the Front and Rear corners and Red/Blue/Amber rear inboards |
| E325 | 54", TRIO5, Red/Blue with White illumination to the Front and Rear corners and Red/Blue/Amber rear inboards |
| E346 | 44", TRIO6, Red/Blue with Green corners and White illumination front inboards and Red/Blue/Amber rear inboards |
| E386 | 48", TRIO6, Red/Blue with Green corners and White illumination front inboards and Red/Blue/Amber rear inboards |
| E326 | 54", TRIO6, Red/Blue with Green corners and White illumination front inboards and Red/Blue/Amber rear inboards |



Replace * symbol in model number with letter indicating color desired: A=Amber, B=Blue, R=Red, C=White
 Replace # in model number with interleaved color desired: D=Red/White, E=Blue/White, F=Amber/White, J=Red/Blue, K=Red/Amber, M=Blue/Amber

 WARNING: This product may contain chemicals known to the State of California to cause cancer and birth defects or other reproductive harm. For more information, visit whelen.com/regulatory.

4500 Build-A-Bar Series



Download WeCad™ for models and options
whelen.com/eng_apps



FEATURES

- Color or Clear outer lens
- Anodized aluminum extrusion
- Hard-coated lenses
- Available with or without SAE compliant front and rear LED clearance lights
- Pre-configured KKK compliant packages available

MODELS

| Models | Length | | | | | | Height x Depth |
|--------|-----------------------------|------------------------------|------------------------------|------------------------------|-----------------------------|---------------------------------------|----------------|
| 45B±± | 20" (51cm), 22" (56cm), | 52" (132cm), 60" (152cm), | 78" (198cm), 82" (208cm), | 88" (224cm), 90" (228cm), | 96" (244cm), 98" (249cm) | 4.875" (124mm) H x 5.25" (133mm) D | |
| 45B±±* | 38" (96cm), 44" (112cm), | 72" (183cm), 76" (193cm), | 84" (213cm), 86" (218cm), | 92" (233cm), 94" (239cm), | | | |



OPTIONS



Rota-Beam™
Rotating LED Module



700 Series
Linear-LED*



LR11 LED
Load Light



End LED Clearance
Lights



400 Series
Linear-LED



Angled Linear-LED
Corner



GTT Opticom™
Emitter 795H



Center LED
Clearance Lights



Aluminum Extrusion



Color Lenses

WARNING: This product may contain chemicals known to the State of California to cause cancer and birth defects or other reproductive harm. For more information, visit whelen.com/regulatory.

Cenator® Series

5YR ≤ 12 ≤ 24 SC WeCan[®] X NFPA 1901 ISOLO™ DUO™ TRIO™ W E C A N X.

Download WeCad™ for models and options
whelen.com/eng_apps



FEATURES

- New WeCanX® models available
- SAE Class 1 Certified
- Lighthead modules mount in any position
- Extruded aluminum platform
- Advanced Thermal Design improves LED performance during extended operation
- Hard-coated lenses
- Optional Red, Blue, or Amber internal filters
- Clear outer domes with optional color tops
 Smoked lenses are also available

OPTIONS



CON3



Colored domes

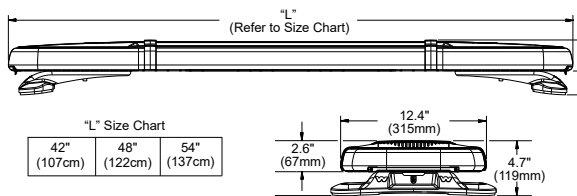


LIN6⁺ / LIN6⁺



Alley light / take-down

DIMENSIONS



MODELS

| Models | Description |
|---------|---|
| CV4**** | 42" SOLO™, standard current, Red, Blue, Amber or White, LIN6 ⁻ |
| CV8**** | 48" SOLO, standard current, Red, Blue, Amber or White, LIN6 |
| CV2**** | 54" SOLO, standard current, Red, Blue, Amber or White, LIN6 |
| CX4**** | 42" SOLO, standard current, Red, Blue, Amber or White, LIN6 ⁺ |
| CX8**** | 48" SOLO, standard current, Red, Blue, Amber or White, LIN6 ⁺ |
| CX2**** | 54" SOLO, standard current, Red, Blue, Amber or White, LIN6 ⁺ |
| CY4**** | 42" SOLO, WeCan, Red, Blue, Amber or White, LIN6 |
| CY8**** | 48" SOLO, WeCan, Red, Blue, Amber or White, LIN6 |
| CY2**** | 54" SOLO, WeCan, Red, Blue, Amber or White, LIN6 |
| CP4**** | 42" SOLO, WeCan, Red, Blue, Amber or White, LIN6 ⁺ |
| CP8**** | 48" SOLO, WeCan, Red, Blue, Amber or White, LIN6 ⁺ |
| CP2**** | 54" SOLO, WeCan, Red, Blue, Amber or White, LIN6 ⁺ |
| CB4#### | 42" DUO™, WeCan, Red, Blue, Amber and/or White, LIN6 |
| CB8#### | 48" DUO, WeCan, Red, Blue, Amber and/or White, LIN6 |
| CB2#### | 54" DUO, WeCan, Red, Blue, Amber and/or White, LIN6 |
| CJ4#### | 42" DUO, WeCan, Red, Blue, Amber and/or White, LIN6 ⁺ |
| CJ8#### | 48" DUO, WeCan, Red, Blue, Amber and/or White, LIN6 ⁺ |
| CJ2#### | 54" DUO, WeCan, Red, Blue, Amber and/or White, LIN6 ⁺ |

WeCanX Models

| | |
|---------|---|
| TY4**** | 42" SOLO, single color, Red, Blue, Amber or White |
| TY8**** | 48" SOLO, single color, Red, Blue, Amber or White |
| TY2**** | 54" SOLO, single color, Red, Blue, Amber or White |
| TB4#### | 42" DUO color, Red, Blue, Amber and/or White |
| TB8#### | 48" DUO color, Red, Blue, Amber and/or White |
| TB2#### | 54" DUO color, Red, Blue, Amber and/or White |
| TP4**** | 42" SOLO, single color, Red, Blue, Amber or White |
| TP8**** | 48" SOLO, single color, Red, Blue, Amber or White |
| TP2**** | 54" SOLO, single color, Red, Blue, Amber or White |
| TJ4#### | 42" DUO color, Red, Blue, Amber and/or White |
| TJ8#### | 48" DUO color, Red, Blue, Amber and/or White |
| TJ2#### | 54" DUO color, Red, Blue, Amber and/or White |
| T381 | 48", TRIO1, 12 inboard TRIO™ modules, Red/Blue with White illumination |
| T321 | 54", TRIO1, 14 inboard TRIO™ modules, Red/Blue with White illumination |
| T385 | 48", TRIO2, Red/Blue with White illumination to the front and rear corners and Red/Blue/Amber rear inboards |
| T325 | 54", TRIO2, Red/Blue with White illumination to the front and rear corners and Red/Blue/Amber rear inboards |




Replace * symbol in model number with letter indicating color desired:
 A=Amber, B=Blue, R=Red, C=White

Replace # in model number with interleaved color desired: D=Red/White, E=Blue/White,
 F=Amber/White, J=Red/Blue, K=Red/Amber, M=Blue/Amber

WARNING: This product may contain chemicals known to the State of California to cause cancer and birth defects or other reproductive harm. For more information, visit whelen.com/regulatory.

Inner Edge® RST™ Series



 Download WeCad™ for models and options
whelen.com/eng_apps




FEATURES


- New WeCanX® models available
- SAE Class 1 Certified
- Mounts to the rear headliner of SUVs and pickup trucks
- Drop-in lighthouse tray is universal, allowing for easy serviceability
- Lighthouse tray can be repurposed to a different vehicle by obtaining an alternate housing and mounting kit
- Low Current models are available with SOLO™ light modules
- Plug & Play into Whelen WeCan® products

MODELS

| Models | Tray Description |
|----------|---|
| ITRAYL8 | 8 Lamp tray for SOLO lighthoods |
| ITRAYL10 | 10 Lamp tray for SOLO lighthoods |
| ITRAYL12 | 12 Lamp tray for SOLO lighthoods |
| ITRAYW8 | 8 Lamp tray for WeCan SOLO, DUO™, or TRIO lighthoods |
| ITRAYW10 | 10 Lamp tray for WeCan SOLO, DUO, or TRIO lighthoods |
| ITRAYW12 | 12 Lamp tray for WeCan SOLO, DUO, or TRIO lighthoods |
| Models | Vehicle Specific Housing Description |
| IS458 | Chevy Tahoe/Suburban, 2015-2019, upper rear housing for eight or ten modules |
| IS448 | Dodge Durango, 2016-2020, Upper Rear Housing for Eight or Ten Modules |
| IS348 | Ford Police Interceptor Utility, 2013-2019, upper rear housing for eight or ten modules |
| IS488 | Ford Expedition, 2018-2019, upper rear housing for eight or ten modules |
| Models | Lighthouse Description |
| ISS* | One SOLO lighthouse, Red, Blue, Amber, or White |
| ISD# | One DUO lighthouse, Red, Blue, Amber, and/or White |
| ISTRBA | One TRIO™ lighthouse, Red/Blue/Amber |
| ISTRCA | One TRIO lighthouse, Red/White/Amber |
| ISTBCA | One TRIO lighthouse, Blue/White/Amber |
| ISTRBC | One TRIO lighthouse, Red/Blue/White |
| DELWCCP | Delete WeCan control point |



Replace * symbol in model number with letter indicating color desired: A=Amber, B=Blue, R=Red, C=White
 Replace # in model number with interleaved color desired: D=Red/White, E=Blue/White, F=Amber/White,
 J=Red/Blue, K=Red/Amber, M=Blue/Amber

 WARNING: This product may contain chemicals known to the State of California to cause cancer and birth defects or other reproductive harm. For more information, visit whelen.com/regulatory.

Inner Edge® FST™ Series

5YR

12

LC

WeCan

WeCan X

NFPA 1901

SOLO™

DUO™

TRIO™

PROCLERA

WE CAN X.



Download WeCad™ for models and options
whelen.com/eng_apps



FEATURES

- New WeCanX® models available
- Meets SAE Class 1 specifications
- Upper front units mount to visor anchor points
- Low Current models are available in SOLO™
- Plug & Play into Whelen WeCan® products
- Proclera® Silicone Optics (available in take-down lights)
- 17' cable included
- Available with BroadBand Blue™
- Vehicle specific housing minimizes flashback to vehicle passengers
- New models available for the 2020 Ford Transit ambulance configurations
- Models available for the Chevy Silverado, Chevy Tahoe/Suburban, Ram 1500, Ford Police Interceptor Utility, Ford F-150/F-250/F-350, Ford Expedition, and Ford Transit
- Refer to website for full list of models



WARNING: This product may contain chemicals known to the State of California to cause cancer and birth defects or other reproductive harm. For more information, visit whelen.com/regulatory.

Outer Edge® Series



ISOLO™ DUO™ TRIO™ PROCLERA™ W E C A N X.

Download WeCad™ for models and options
whelen.com/eng_apps



FEATURES

- SAE Class 1 Certified
- Vehicle specific vacuum formed pillar housings offer easy serviceability
- Plug & Play into Whelen WeCan® products
- Low Current models are available with SOLO™ lighthead and feature Traffic Advisor™ patterns WeCan® products
- Fully encapsulated
- Hard-coated lenses
- Each housing supports three ION™ lighthead

MODELS

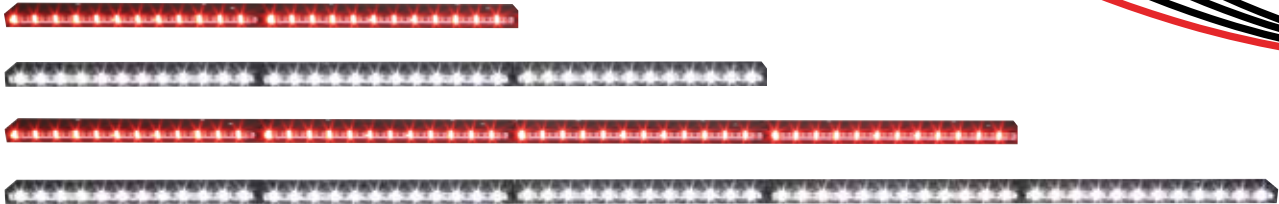
| Models | Description |
|--------|---|
| OELS45 | Six lamp, two piece, for Chevy Tahoe 2015-2018, requires six SOLO™ OEION* lighthead |
| OELS54 | Six lamp warning, two piece, for Chevy Tahoe 2021 |
| OEWS45 | Six lamp, two piece, for Chevy Tahoe 2015-2018, requires six SOLO OEION* lighthead |
| OEWD45 | Six lamp, two piece, for Chevy Tahoe 2015-2018, requires six DUO™ OEI2 lighthead |
| OEWT45 | Six lamp, two piece, for Chevy Tahoe 2015-2018, requires six TRIO™ OEI3 lighthead |
| OEWS54 | Six lamp, two piece, for Chevy Tahoe 2021, requires six SOLO™ OEION* lighthead |
| OEWD54 | Six lamp, two piece, for Chevy Tahoe 2021, requires six DUO™ OEI2 Lighthead |
| OEWT54 | Six lamp, two piece, for Chevy Tahoe 2021, requires six TRIO™ OEI3 Lighthead |
| RPLS45 | Six lamp, two piece, for Chevy Tahoe 2016-2018, requires six SOLO OEION* lighthead |
| RPWS45 | Six lamp, two piece, for Chevy Tahoe 2016-2018, requires six SOLO OEION* lighthead |
| RPWD45 | Six lamp, two piece, for Chevy Tahoe 2016-2018, requires six DUO OEI2 lighthead |
| RPWT45 | Six lamp, two piece, for Chevy Tahoe 2016-2018, requires six TRIO OEI3 lighthead |
| RPLS44 | Six lamp, two piece, low current, for Dodge Durango 2019-2020, requires six SOLO OEION* lighthead |
| RPWS44 | Six lamp, two piece, for Dodge Durango 2019-2020, requires six SOLO OEION* lighthead |
| RPWD44 | Six lamp, two piece, for Dodge Durango 2019-2020, requires six DUO OEI2 lighthead |
| RPWT44 | Six lamp, two piece, for Dodge Durango 2019-2020, requires six TRIO OEI3 lighthead |

WARNING: This product may contain chemicals known to the State of California to cause cancer and birth defects or other reproductive harm. For more information, visit whelen.com/regulatory.

Tracer™ Series



Download WeCad™ for models and options
whelen.com/eng_apps



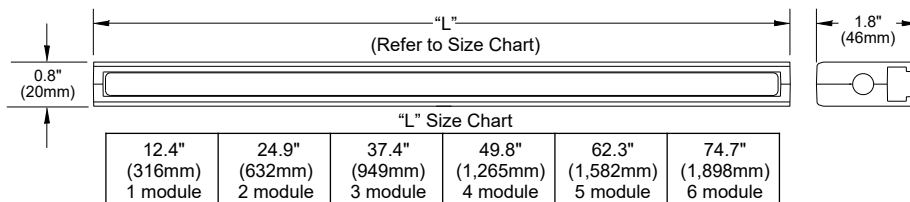
FEATURES

- SAE Class 1 Certified
- Traffic Advisor™ included in 4-6 lamp versions
- Hard-coated lenses
- Encapsulated, water resistant control module for exterior or interior installation
- Cruise light control includes seven adjustable intensity levels
- 15' Cable with encapsulated in-line driver
- Lighthead array features an easily serviceable clamshell design

MODELS

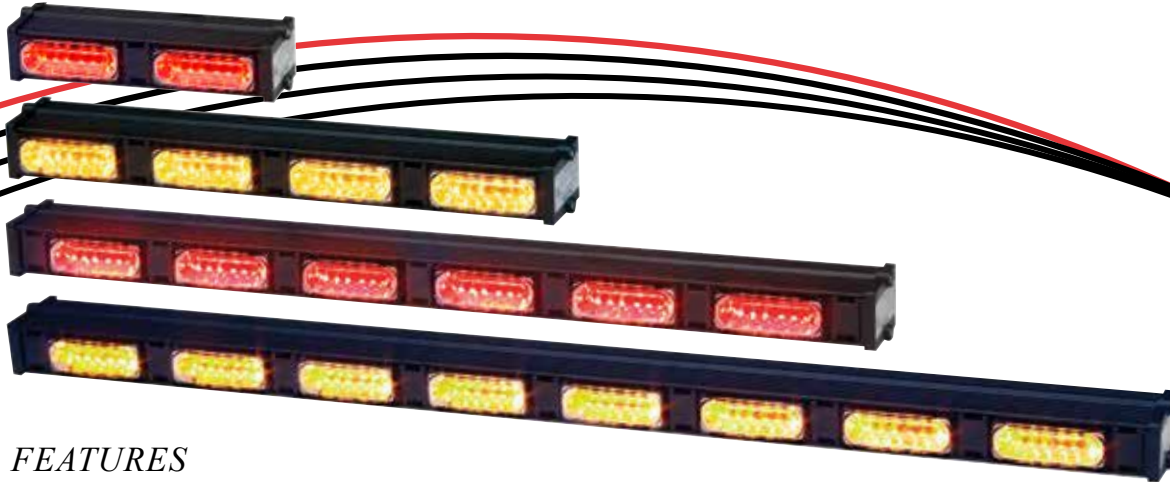
| Models | Description | Models | Description |
|--------|----------------------------------|--------|---------------------------------|
| TCRHS1 | 1 SOLO™ Linear Super-LED® module | TCRHD4 | 4 DUO Linear Super-LED modules |
| TCRHS2 | 2 SOLO Linear Super-LED modules | TCRHD5 | 5 DUO Linear Super-LED modules |
| TCRHS3 | 3 SOLO Linear Super-LED modules | TCRHD6 | 6 DUO Linear Super-LED modules |
| TCRHS4 | 4 SOLO Linear Super-LED modules | TCRHT1 | 1 TRIO™ Linear Super-LED module |
| TCRHS5 | 5 SOLO Linear Super-LED modules | TCRHT2 | 2 TRIO Linear Super-LED modules |
| TCRHS6 | 6 SOLO Linear Super-LED modules | TCRHT3 | 3 TRIO Linear Super-LED modules |
| TCRHD1 | 1 DUO™ Linear Super-LED module | TCRHT4 | 4 TRIO Linear Super-LED modules |
| TCRHD2 | 2 DUO Linear Super-LED modules | TCRHT5 | 5 TRIO Linear Super-LED modules |
| TCRHD3 | 3 DUO Linear Super-LED modules | TCRHT6 | 6 TRIO Linear Super-LED modules |

DIMENSIONS



WARNING: This product may contain chemicals known to the State of California to cause cancer and birth defects or other reproductive harm. For more information, visit whelen.com/regulatory.

Dominator™ & Dominator Plus™ Series



FEATURES

- SAE Class 1 Certified
- Low profile surface mount housing designed for interior or exterior use
- Choice of TIR3™ or LINZ6™ modules
- Fully encapsulated for moisture, vibration, and corrosion resistance
- Internal self-contained electronics
- Hard-coated lenses
- Slide bolt mount
- Extruded aluminum Black powder coated housing

DOMINATOR MODELS

| Models | Description |
|--------|--|
| D2 | 2 Lamp, requires 2 D* |
| D4 | 4 Lamp, requires 4 D* |
| D6 | 6 Lamp, requires 6 D* |
| D8 | 8 Lamp, requires 8 D* |
| DTA6A | Amber, 6 lamp TIR3™ Super-LED® Traffic Advisor, less control head |
| DTA6 | 6 Lamp TIR3 Super-LED Traffic Advisor, less control head, requires 6 D* |
| DTA8A | Amber, 8 lamp TIR3 Super-LED Traffic Advisor, less control head |
| DTA8 | 8 Lamp TIR3 Super-LED Traffic Advisor, less control head, requires 8 D* |
| DTAW8 | 8 Lamp TIR3, 6 Light Traffic Advisor with 2 end warning lights, less control head, requires 8 D* |
| D* | TIR3 Super-LED lighthouse, Amber, Red or White |

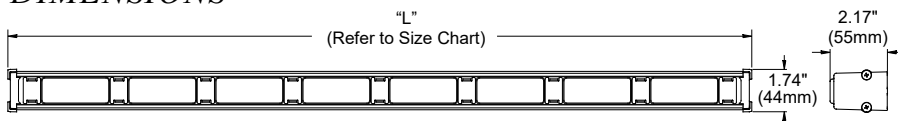
DOMINATOR PLUS MODELS

| Models | Description |
|--------|--|
| DP2 | 2 Lamp, requires 2 DP* |
| DP4 | 4 Lamp, requires 4 DP* |
| DP6 | 6 Lamp, requires 6 DP* |
| DP8 | 8 Lamp, requires 8 DP* |
| DPTA6A | Amber, 6 lamp LINZ6™ Super-LED® Traffic Advisor, less control head |
| DPTA6 | 6 Lamp LINZ6 Super-LED Traffic Advisor, less control head, requires 6 DP* |
| DPTA8A | Amber, 8 lamp LINZ6 Super-LED Traffic Advisor, less control head |
| DPTA8 | 8 Lamp LINZ6 Super-LED Traffic Advisor, less control head, requires 8 DP* |
| DPTAW8 | 8 Lamp LINZ6, 6 Light Traffic Advisor with 2 end warning lights, less control head, requires 8 DP* |
| DP* | LINZ6 Super-LED lighthouse, Amber, Red or White |



Replace * symbol in model number with letter indicating color desired: A=Amber, R=Red, C=White

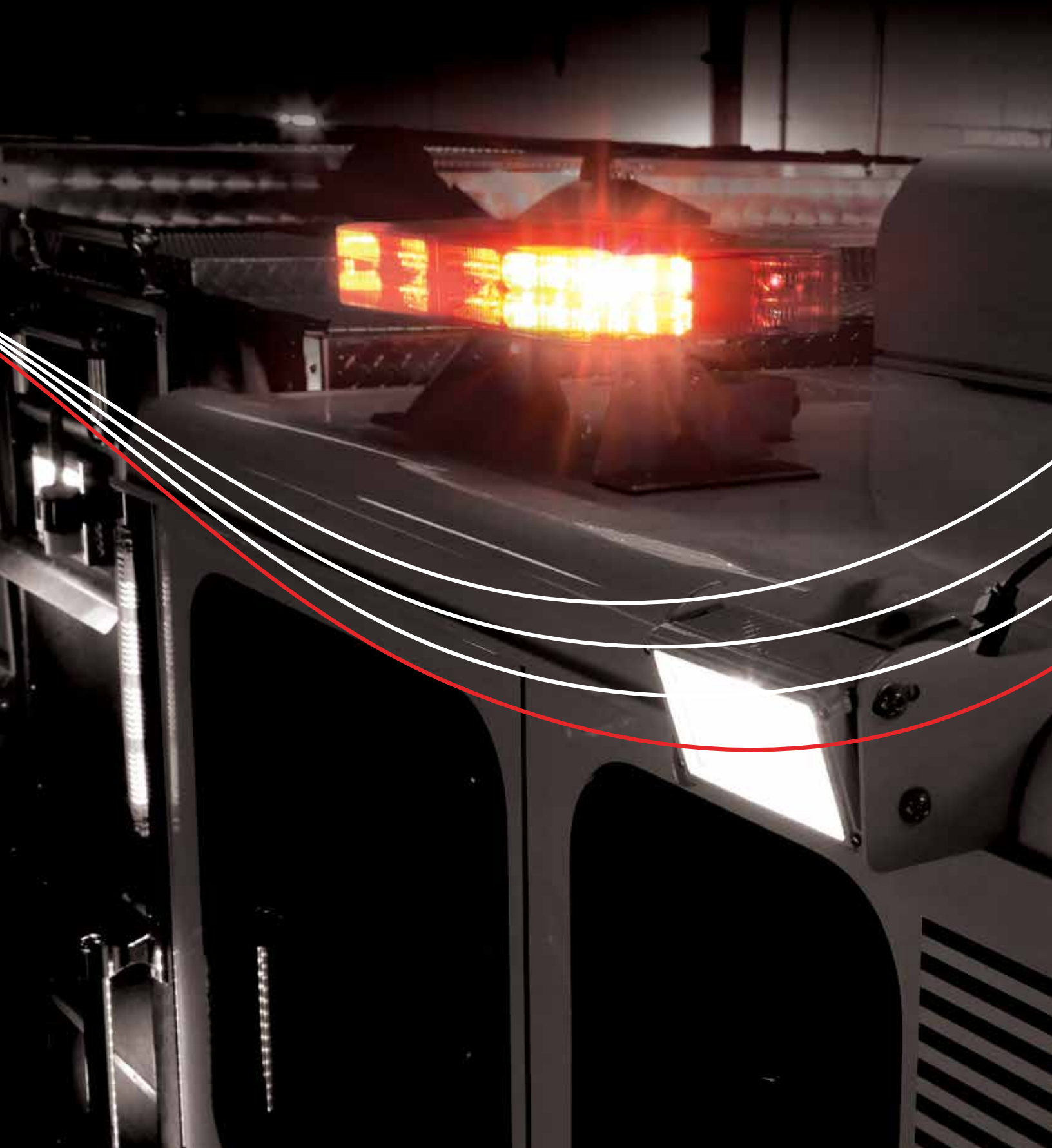
DIMENSIONS



| "L" Size Chart | | | |
|------------------|-------------------|-------------------|-------------------|
| 7.06" (179mm) | 14.19" (360mm) | 23.25" (591mm) | 30.38" (772mm) |

WARNING: This product may contain chemicals known to the State of California to cause cancer and birth defects or other reproductive harm. For more information, visit whelen.com/regulatory.

W Mini Lightbars



Mini Freedom® IV Series



Download WeCad™ for models and options
whelen.com/eng_apps



FEATURES

- SAE Class 1 Certified
- Single color corner modules available in Amber, Blue, Red, or White
- Hard-coated lenses
- Clear outer domes with Clear dividers
- Extruded aluminum platform for long-life dependability

MINI FREEDOM IV

- Linear Super-LED®
- 58 Scan-Lock™ flash patterns

- Available in magnetic or permanent mount
- Magnetic mount includes cigar plug with On/Off switch with LED “On” indicator, and ScanLock pattern control switch
- Permanent mount includes 15’ cable

MINI FREEDOM IV ROTA-BEAM

- Rotating Super-LED technology
- 10 Scan-Lock flash patterns
- Available in permanent mount, includes 15’ cable

MODELS

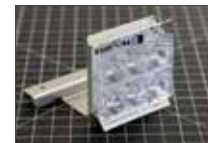
| Models | Description |
|----------|---|
| F4M****P | Permanent mount with 4 corners, Red or White |
| F4M****M | Magnetic mount with 4 corners, Red or White |
| F4B****P | Permanent mount with 4 corners and center section, Red or White |
| F4M*O*OF | Permanent mount with 2 front facing corners, Red or White |
| F4G*O*OF | Permanent mount with 2 front facing corners, pre-wired for GTT center mounted emitter, Red or White |
| R4B****P | Permanent mount lightbar with 4 rotating Super-LED® corner modules |
| R4B*O*OP | Permanent mount lightbar with 2 front facing rotating Super-LED corner modules |

● ● ● ●
 Replace * symbol in model number with letter indicating color desired:
 A=Amber, B=Blue, R=Red, C=White

OPTIONS



6-LED take-down



6-LED alley light

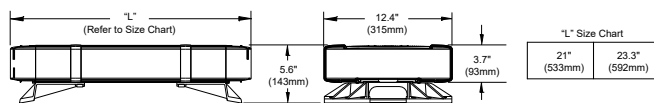


Long lighthead



Filter

DIMENSIONS



WARNING: This product may contain chemicals known to the State of California to cause cancer and birth defects or other reproductive harm. For more information, visit whelen.com/regulatory.

Micro Freedom[®] Series



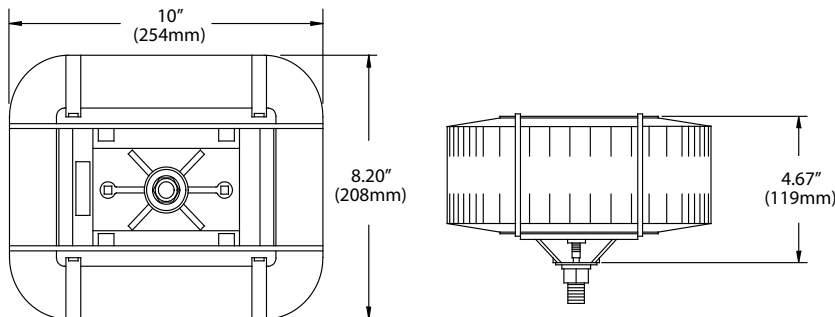
FEATURES

- Heavy-duty extruded aluminum frame for tailboard mounting
- Available with color LEDs and Clear lenses
- 240° light output with built-in flasher
- Available as stud mount
- Hard-coated lenses

MODEL

| Models | Description |
|-----------|---|
| MCFLED2** | Micro Freedom, Blue, Red and/or Amber |
| ● ● ● | Replace * symbol in model number with letter indicating color desired: A=Amber, B=Blue, R=Red |

DIMENSIONS



WARNING: This product may contain chemicals known to the State of California to cause cancer and birth defects or other reproductive harm. For more information, visit whelen.com/regulatory.

W Traffic Advisor™



Traffic Advisor™



Whelen's Traffic Advisor light arrays are designed to safely direct approaching traffic on the back of the vehicle. Straight or arrow style models are available with fully encapsulated lightheads and hard-coated lenses for optimal durability.



FEATURES

- Black extruded aluminum housing
- Interior or exterior applications
- Hard-coated lenses
- Lightheads are fully encapsulated
- Left arrow, right arrow, split arrow, and warning functions
- Rear dip switch provides eight flash patterns
- Hi/Low intensity control
- 15' cable standard, alternate cable lengths available, contact factory
- Eight front-loaded Super-LED® modules

NEW TAC8 SERIES

- Built-in left arrow, right arrow, split arrow, and warning functions
- Includes nine directional sequences and nine Scan-Lock® flash patterns
- LED modules are sealed units (IP67 rated)
- Control head features an auxiliary control for a device up to 6A
- Available with a 15', 30', or 50' cable

OPTIONS



TADCTL1

WARNING: This product may contain chemicals known to the State of California to cause cancer and birth defects or other reproductive harm. For more information, visit whelen.com/regulatory.



MODELS

| Model | Traffic Advisor Rear Slot Mount Description |
|---------|---|
| TAM63 | Traffic Advisor with six TIR3 [™] lighthoods, TADCTL1 control head included |
| TAM83 | Traffic Advisor with eight TIR3 lighthoods, TADCTL1 control head included |
| TAM83** | Traffic Advisor with eight TIR3 lighthoods, TADCTL1 control head included |
| TAZ66 | Traffic Advisor with six LINZ6 [™] lighthoods, TADCTL1 control head included |
| TAZ86 | Traffic Advisor with eight LINZ6 lighthoods, TADCTL1 control head included |
| TAZ86** | Traffic Advisor with eight LINZ6 lighthoods, TADCTL1 control head included |

| Model | Traffic Advisor Dominator [™] Series Description |
|--------|---|
| DTA6A | Dominator Traffic Advisor with six TIR3 [™] Amber lighthoods, control head not included |
| DTA6 | Dominator Traffic Advisor, requires six D* lighthoods, control head not included |
| DTA8A | Dominator Traffic Advisor with eight TIR3 Amber lighthoods, control head not included |
| DTA8 | Do minator Traffic Advisor, requires six D* lighthoods, control head not included |
| DTAW8 | Dominator Traffic Advisor, requires 8 D* lighthoods (6 Amber, 2 end warning), control head not included |
| DPTA6A | Dominator Plus Traffic Advisor with six LINZ6 [™] Amber lighthoods, control head not included |
| DPTA6 | Dominator Plus Traffic Advisor, requires 6 DP* lighthoods, control head not included |
| DPTA8A | Dominator Plus Traffic Advisor with eight LINZ6 [™] Amber lighthoods, control head not included |
| DPTA8 | Dominator Plus Traffic Advisor, requires 8 DP* lighthoods, control head not included |
| DPTAW8 | Dominator Plus Traffic Advisor, requires eight DP* lighthoods (6 Amber, 2 end warning), control head not included |
| D* | TIR3 Super-LED Lighthouse, Amber, Blue, Red or White |
| DP* | LINZ6 Super-LED Lighthouse, Amber, Blue, Red or White |

| Model | Traffic Advisor Flat Mount Series Description |
|---------|--|
| TAL65 | Traffic Advisor with six 500 Series 5mm LED lighthoods, TACTL5 Included |
| TAL85 | Traffic Advisor with eight 500 Series 5mm LED lighthoods, TACTL5 Included |
| TAM65 | Traffic Advisor with six TIR6 [™] 500 Series lighthoods, TACTLD1 Included |
| TAM85 | Traffic Advisor with eight TIR6 [™] 500 Series lighthoods, TACTLD1 Included |
| TAM85** | Traffic Advisor with eight TIR6 [™] 500 Series lighthoods, TACTLD1 Included |

| Model | Traffic Advisor Front Load Series Description |
|----------|--|
| TANF65 | Traffic Advisor with six 500 Series Linear-LED [™] lighthoods, TACTL5 control head included |
| TANF85 | Traffic Advisor with eight 500 Series Linear-LED lighthoods, TACTL5 control head included |
| TANF85** | Traffic Advisor with eight 500 Series Linear-LED lighthoods, TACTL5 control head included |
| TACF85 | Traffic Advisor with eight CON3 [™] lighthoods, TACTL5 control head included |
| TACF85** | Traffic Advisor with eight CON3 lighthoods, TACTL5 control head included |
| TADF6 | Traffic Advisor with six DUO [™] Linear Super-LED lighthoods, No control head required |
| TADF8 | Traffic Advisor with eight DUO Linear Super-LED lighthoods, No control head required |

| Model | Traffic Advisor TAC8 (Economy) Series Description |
|--------|--|
| TAC815 | Traffic Advisor with eight SOLO [™] Super-LED lighthoods, 15' cable and control head included |
| TAC830 | Traffic Advisor with eight SOLO Super-LED lighthoods, 30' cable and control head included |
| TAC850 | Traffic Advisor with eight SOLO Super-LED lighthoods, 50' cable and control head included |

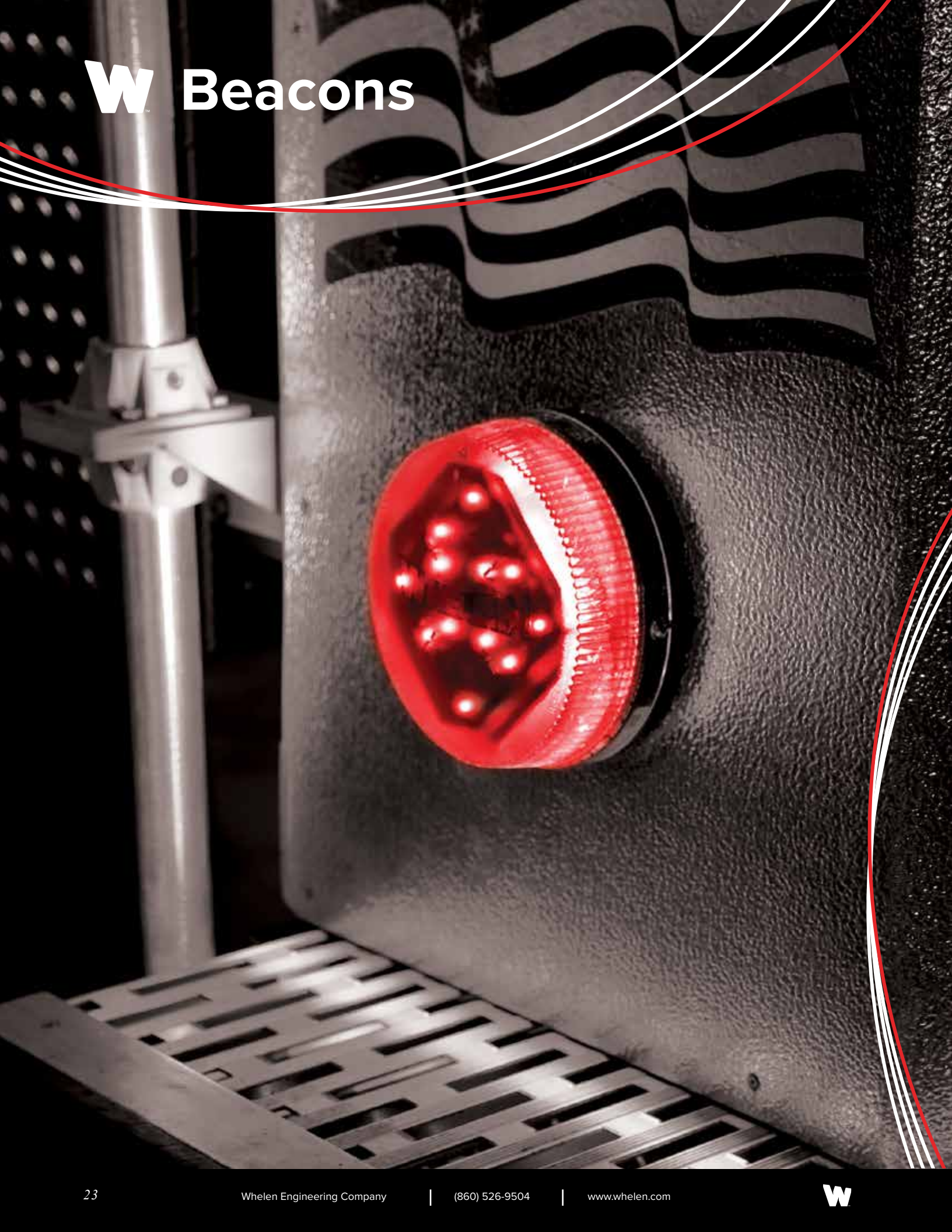


Replace * symbol in model number with letter indicating color desired: A=Amber, B=Blue, R=Red, C=White



WARNING: This product may contain chemicals known to the State of California to cause cancer and birth defects or other reproductive harm. For more information, visit whelen.com/regulatory.

W Beacons



B6 Series Combination Tailboard Lighting



FEATURES

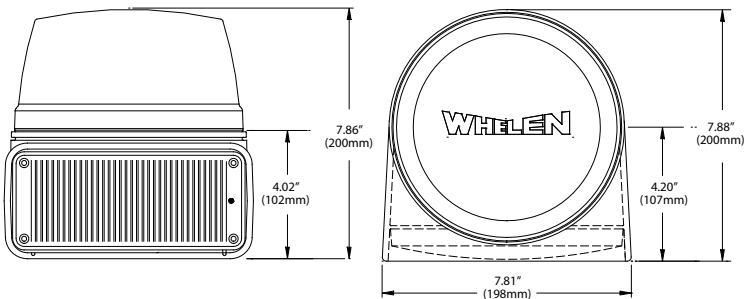
- Designed for use in NFPA 1901 Specification lighting packages
- Combines 360° warning and directional lighting
- Hard-coated domes and lenses
- Lower light offered in single or split color
- Polished aluminum base
- Consult current price list for available options

MODELS

| Models | Description |
|---------|---|
| B63M7** | R316 Super-LED® Rota-Beam™ beacon upper, with M7 Super-LED lighthouse |
| B6370** | R316 Super-LED Rota-Beam beacon upper, with 700 Series Super-LED lighthouse lower |
| B6MM**P | L31 Super-LED beacon upper, with 700 Series Super-LED lighthouse lower |

Replace * symbol in model number with letter indicating color desired:
 A=Amber, B=Blue, R=Red, C=White, G=Green

DIMENSIONS



WARNING: This product may contain chemicals known to the State of California to cause cancer and birth defects or other reproductive harm. For more information, visit whelen.com/regulatory.

R316 & R416 Series



R316

R416

FEATURES

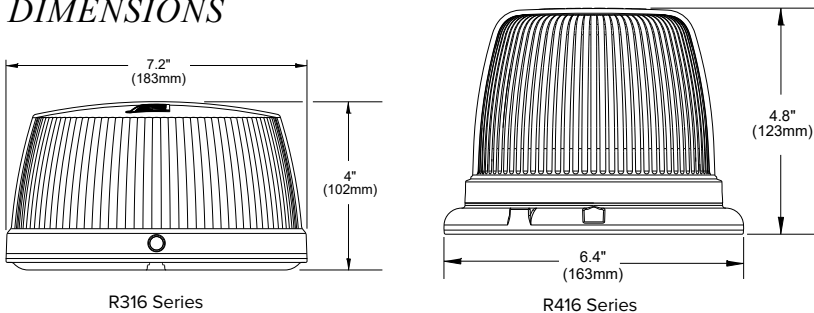
- SAE Class 1 Certified
- Smooth polycarbonate dome
- Powder-coated die-cast base
- Solid-state electronics
- Conformal coated electronics
- Hard-coated domes
- Consult current price list for available options

MODELS

| Models | Description |
|---------|---|
| R316*F | Permanent mount, R316 Series, Red, Blue, Amber, or White |
| R316*M | Magnetic mount, R316 Series, Red, Blue, Amber, or White |
| R316*V | Magnetic/suction mount, R316 Series, Red, Blue, Amber, or White |
| R316**F | Permanent mount, R316 Series, Red, Blue, Amber, or White |
| R316**M | Magnetic mount, R316 Series, Red, Blue, Amber, or White |
| R316**V | Magnetic/suction mount, R316 Series, Red, Blue, Amber, or White |
| R416*F | Permanent mount, Red, Blue, Amber, or White |
| R416*M | Magnetic mount, Red, Blue, Amber, or White |
| R416*V | Magnetic/suction mount, Red, Blue, Amber, or White |
| R416**F | Permanent mount, Red, Blue, Amber, or White |
| R416**M | Magnetic mount, Red, Blue, Amber, or White |
| R416**V | Magnetic/suction mount, Red, Blue, Amber, or White |

● ● ● ●
 Replace * symbol in model number with letter indicating color desired: A=Amber, B=Blue, R=Red, C=White

DIMENSIONS



WARNING: This product may contain chemicals known to the State of California to cause cancer and birth defects or other reproductive harm. For more information, visit whelen.com/regulatory.

L31 & L32 Super-LED® Series



FEATURES

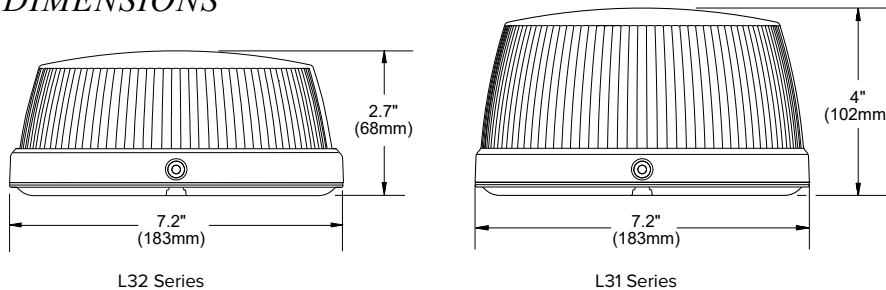
- SAE Class 1 Certified (Amber)
- High and low dome models
- Smooth polycarbonate dome
- Powder-coated die-cast base
- Solid-state electronics
- Conformal coated electronics
- Hard-coated domes
- Consult current price list for available options

MODELS

| Models | Description |
|---------|---|
| L31H*F | Permanent mount, high dome, Red, Blue, Amber, or White |
| L31HPF | Permanent mount, high dome, Amber/Green |
| L31H*M | Magnetic mount, high dome, Red, Blue, Amber, or White |
| L31H*V | Magnetic/suction mount, high dome, Red, Blue, Amber, or White |
| L31H*F4 | Permanent mount, high dome, Red, Blue, Amber, or White |
| L32L*F | Permanent mount, low dome, Red, Blue, Amber, or White |
| L32L*M | Magnetic mount, low dome, Red, Blue, Amber, or White |
| L32L*V | Magnetic/suction mount, low dome, Red, Blue, Amber, or White |
| L32L*F4 | Permanent mount, low dome, Red, Blue, Amber, or White |
| L31HRFN | Permanent mount, high dome, Red, meets NFPA Zone C upper requirements |

Replace * symbol in model number with letter indicating color desired: A=Amber, B=Blue, R=Red, C=White

DIMENSIONS



WARNING: This product may contain chemicals known to the State of California to cause cancer and birth defects or other reproductive harm. For more information, visit whelen.com/regulatory.

W Dash & Deck



Avenger® II Series



FEATURES

- SAE Class 1 Certified
- Combination Linear/TIR optics
- Available in SOLO™, DUO™, or TRIO™ models
- Polycarbonate housing
- Solid-state electronics
- Conformal coated electronics
- Models include 3m cord with cigar plug with On/Off switch and Scan-Lock™ flash pattern switch
- Visit www.whelen.com for a full list of available options

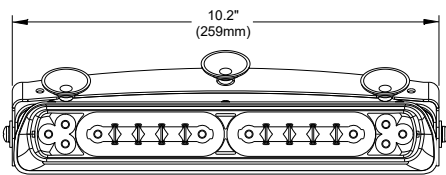
MODELS

| Models | Description | Models | Description |
|----------|---|----------|--|
| AVC11* | Single lamp, SOLO, Amber, Blue, Red, or White | AVC23RBC | Dual lamp, TRIO, Red/Blue/White |
| AVC21** | Dual lamp, SOLO, Amber, Blue, Red, or White | AVC23RBA | Dual lamp, TRIO, Red/Blue/Amber |
| AVC12# | Single lamp, DUO, Red/White, Blue/White, Amber/White, Blue/Red, or Blue/Amber | AVC23RAC | Dual lamp, TRIO, Red/Amber/White |
| AVC22DD | Dual lamp, DUO, Two Red/White | AVC23BAC | Dual lamp, TRIO, Blue/Amber/White |
| AVC22DE | Dual lamp, DUO, One Red/White, One Blue/White | AVW11* | Single lamp, SOLO, Red, Blue, Amber or White |
| AVC22EE | Dual lamp, DUO, Two Blue/White | AVW21** | Dual lamp, SOLO, Red, Blue, Amber and/or White |
| AVC22FF | Dual lamp, DUO, Two Amber/White | AVW12# | Single lamp, DUO, Red/Blue, Amber/White, Blue/White, Red/White or Blue/Amber |
| AVC22JJ | Dual lamp, DUO, Two Red/Blue | AVW22DD | Dual lamp, DUO, each lighthouse Red/White |
| AVC22MM | Dual lamp, DUO, Two Blue/Amber | AVW22DE | Dual lamp, DUO, One lighthouse Red/White and One Blue/White |
| AVC13RBC | Single lamp, TRIO, Red/Blue/White | AVW22EE | Dual lamp, DUO, each lighthouse Blue/White |
| AVC13RBA | Single lamp, TRIO, Red/Blue/Amber | AVW22FF | Dual lamp, DUO, each lighthouse Amber/White |
| AVC13RAC | Single lamp, TRIO, Red/Amber/White | AVW22JJ | Dual lamp, DUO, each lighthouse Red/Blue |
| AVC13BAC | Single lamp, TRIO, Blue/Amber/White | AVW22MM | Dual lamp, DUO, each lighthouse Blue/Amber |

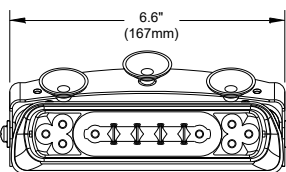


Replace * symbol in model number with letter indicating color desired: A=Amber, B=Blue, R=Red, C=White
 Replace # in model number with interleaved color desired: D=Red/White, E=Blue/White, F=Amber/White, J=Red/Blue, M=Blue/Amber

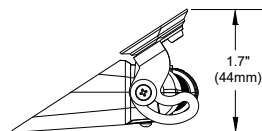
DIMENSIONS



Avenger II Dual Series

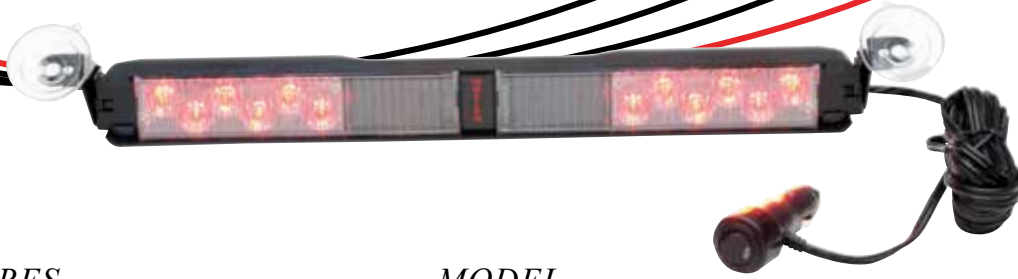


Avenger II Single Series



WARNING: This product may contain chemicals known to the State of California to cause cancer and birth defects or other reproductive harm. For more information, visit whelen.com/regulatory.

SlimLighter®



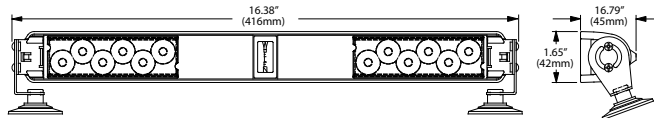
FEATURES

- SAE Class 1 Certified
- Swivel bracket for permanent or suction cup mounting included
- Includes built-in pattern selection button, 10' straight cord with cigar plug and On/Off switch with LED "On" indicator
- Hard-coated lenses
- Visit www.whelen.com for a full list of available options

MODEL

| Models | Description |
|---|---|
| SLPMM** | Super-LED™ interior light, Amber, Blue, Red, or White |
| ● ● ● ● | |
| Replace * symbol in model number with letter indicating color desired: A=Amber, B=Blue, R=Red, C=White | |

DIMENSIONS



SpitFire ION™ Series



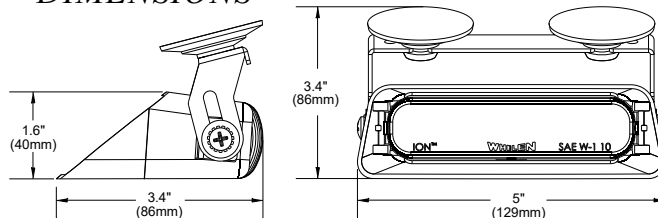
FEATURES

- Polycarbonate housing
- Solid-state electronics
- Conformal coated electronics
- Hard-coated lenses
- Models include 3m cord with cigar plug with On/Off switch and Scan-Lock™ flash pattern switch
- Visit www.whelen.com for a full list of available options

MODEL

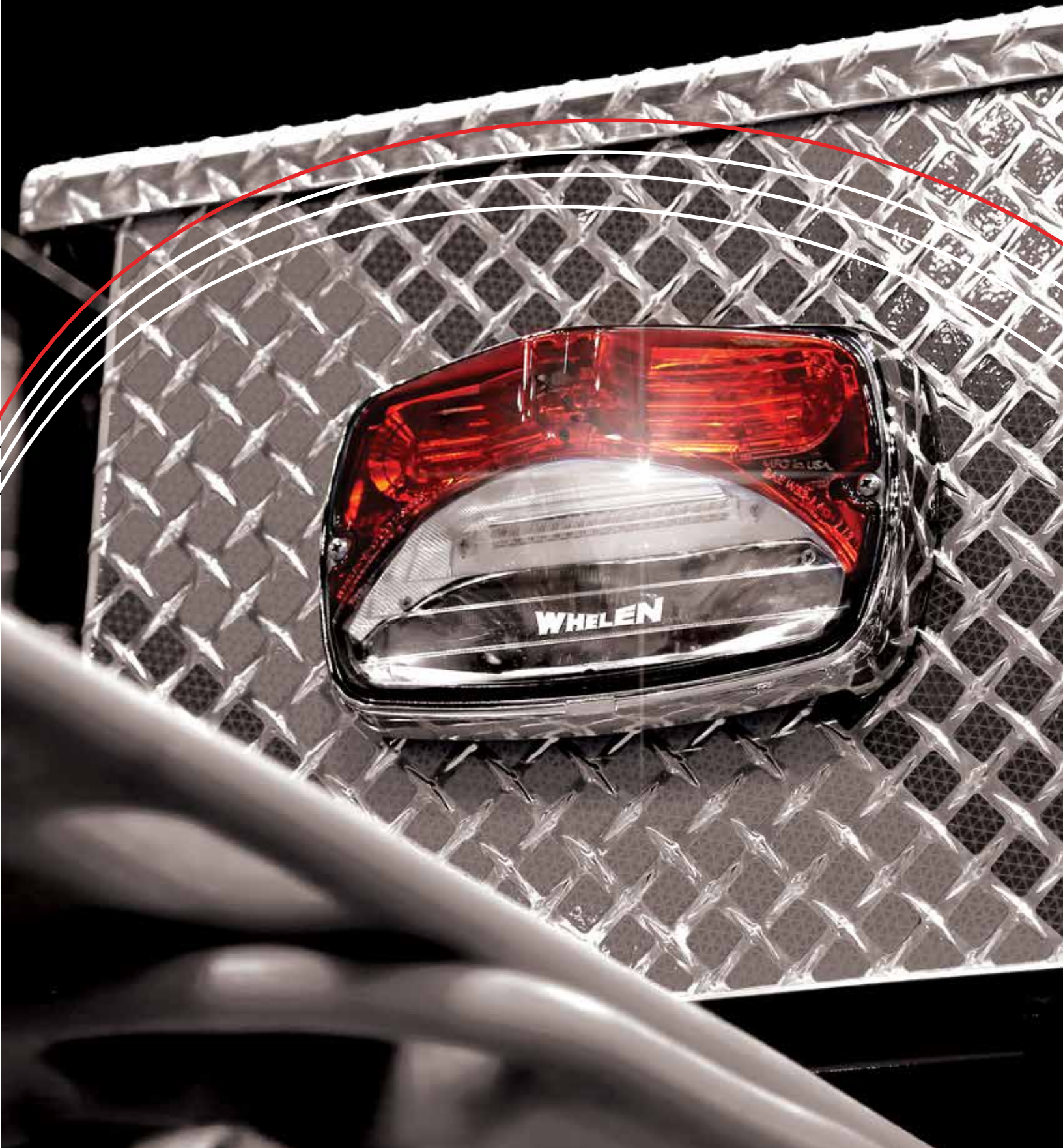
| Models | Description |
|---|---|
| SFION* | Super-LED™ SpitFire ION, Amber, Blue, Red, or White |
| ● ● ● ● | |
| Replace * symbol in model number with letter indicating color desired: A=Amber, B=Blue, R=Red, C=White | |

DIMENSIONS



WARNING: This product may contain chemicals known to the State of California to cause cancer and birth defects or other reproductive harm. For more information, visit whelen.com/regulatory.

W Lightheads



M9 Series



FEATURES

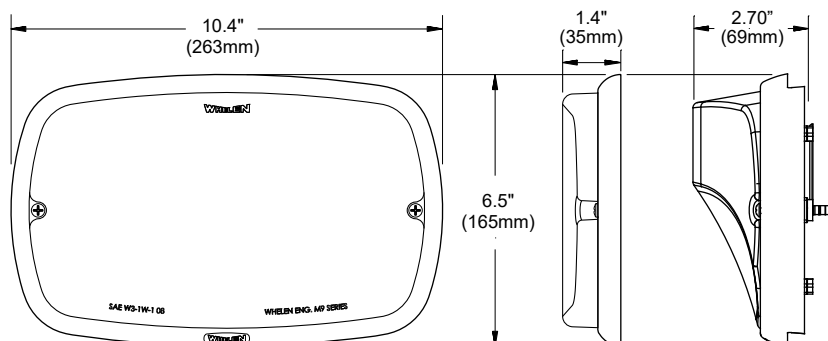
- SAE Class 1 Certified
- Available in combination warning/scenelight
- M9 V-Series™ models feature 2-in-1 combination warning and scene lighting
- Available with Clear or color lenses
- Available in steady-burn or with an internal flasher
- Hard-coated lenses
- Surface mounts via two screws for easy installation
- A variety of mounting brackets and optional Chrome or Black flanges are available

MODELS

| Models | Description |
|--------|--|
| M9* | M9 Series Super-LED® directional light, with internal flasher, Amber, Red, Blue, or White |
| M9°C | M9 Series Super-LED directional light, with Clear lens, Amber, Red, Blue, or White |
| M9# | M9 Series Split color Super-LED directional light, Red/Amber, Red/Blue, or Red/White |
| M9*S | M9 Series Super-LED directional light, steady-burn, Amber, Red, Blue, or White |
| M9*CS | M9 Series Super-LED directional light, with Clear lens, steady-burn, Amber, Red, Blue, or White |
| M92# | M9 Series DUO® Super-LED light, Red/Blue, Red/Amber, Blue/Amber, Blue/White, or Amber/White |
| M9*CZ | M9 Series Combination Super-LED warning/scene light, Amber, Red, Blue, or White |
| M9JCZ | M9 Series DUO combination Super-LED warning/scene light, Red/Blue |
| M9V2* | M9 V-Series, combination 180° warning and scene light, Amber, Red, Blue, or White |
| M9V2°C | M9 V-Series, combination 180° warning and scene light, with Clear lens, Amber, Red, Blue, or White |

Replace * symbol in model number with letter indicating color desired: A=Amber, B=Blue, R=Red, C=White
 Replace # in model number with interleaved color desired: D=Red/White, E=Blue/White, F=Amber/White, J=Red/Blue, K=Red/Amber, M=Blue/Amber

DIMENSIONS



WARNING: This product may contain chemicals known to the State of California to cause cancer and birth defects or other reproductive harm. For more information, visit whelen.com/regulatory.

M6 & M7 Series



FEATURES

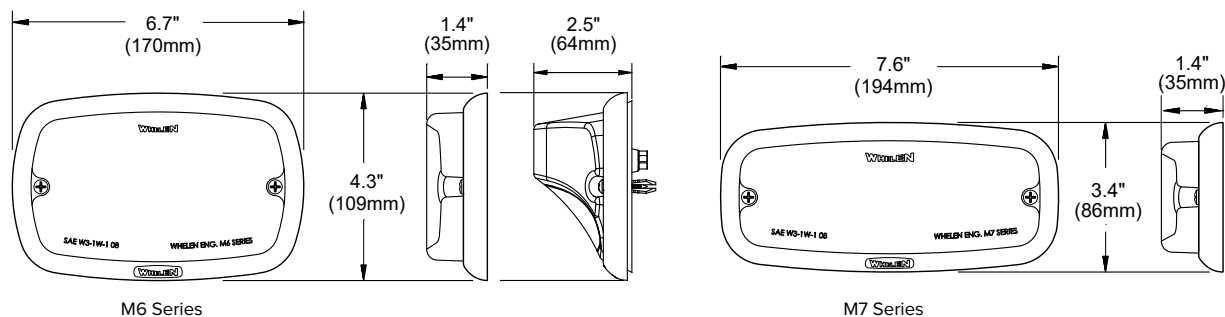
- SAE Class 1 Certified
- Available in single or split colors
- Available in combination warning/scenelight
- Available with Clear or color lenses
- Available in steady-burn or with an internal flasher
- M6 V-Series™ models feature 2-in-1 combination warning and perimeter lighting
- Hard-coated lenses
- Surface mounts via two screws for easy installation
- A variety of mounting brackets and optional Chrome or Black flanges are available

MODELS

| Models | Description |
|--------|--|
| M6* | M6 Series Super-LED® directional light, with internal flasher, Amber, Red, Blue, or White |
| M6*C | M6 Series Super-LED directional light, with Clear lens, Amber, Red, Blue, or White |
| M6# | M6 Series Split color Super-LED directional light, Red/Amber, Red/Blue, or Red/White |
| M6*S | M6 Series Super-LED directional light, steady-burn, Amber, Red, Blue, or White |
| M6*CS | M6 Series Super-LED directional light, with Clear lens, steady-burn, Amber, Red, Blue, or White |
| M6V2* | M6 V-Series, combination 180° warning and scene light, Amber, Red, Blue, or White |
| M6V2*C | M6 V-Series, combination 180° warning and scene light, with Clear lens, Amber, Red, Blue, or White |
| M7* | M7 Series Super-LED directional light, with internal flasher, Amber, Red, Blue, or White |
| M7*C | M7 Series Super-LED directional light, with Clear lens |
| M7# | M7 Series Split color Super-LED directional light, Red/Amber, Red/Blue, or Red/White |
| M7*S | M7 Series Super-LED directional light, steady-burn, Amber, Red, Blue, or White |
| M7*CS | M7 Series Super-LED directional light, with Clear lens, steady-burn, Amber, Red, Blue, or White |

Replace * symbol in model number with letter indicating color desired: A=Amber, B=Blue, R=Red, C=White
 Replace # in model number with interleaved color desired: D=Red/White, J=Red/Blue, K=Red/Amber

DIMENSIONS



WARNING: This product may contain chemicals known to the State of California to cause cancer and birth defects or other reproductive harm. For more information, visit whelen.com/regulatory.

M2 & M4 Series



FEATURES

- Available in combination warning/scenelight
- Hard-coated lenses
- Surface mounts via two screws for easy installation
- Available with Clear or color lenses
- Available in steady-burn or with an internal flasher

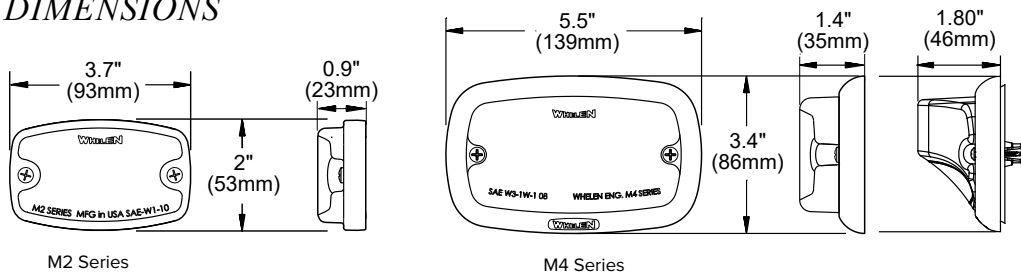
MODELS

| Models | Description |
|--------|--|
| M2* | M2 Series Super-LED [®] directional light, with internal flasher, Amber, Red, Blue, or White |
| M2*C | M2 Series Super-LED directional light, with Clear lens, Amber, Red, Blue, or White |
| M2# | M2 Series Split color Super-LED directional light, Red/Amber, Red/Blue, or Red/White |
| M2W* | M2 Series Super-LED wide-angle warning light, Red, Blue, Amber or White |
| M2W*C | M2 Series Super-LED wide-angle warning light with Clear lens, Red, Blue, Amber or White |
| M2W# | M2 Series Super-LED wide-angle warning light, split color with Clear Lens, Red/Amber, Red/White or Red/Blue Only |
| M4* | M4 Series Super-LED directional light, with internal flasher, Amber, Red, Blue, or White |
| M4*C | M4 Series Super-LED directional light, with Clear lens, Amber, Red, Blue, or White |
| M4# | M4 Series Split color Super-LED directional light, Red/Amber, Red/Blue, or Red/White |
| M4*S | M4 Series Super-LED directional light, steady-burn, Amber, Red, Blue, or White |
| M4*CS | M4 Series Super-LED directional light, with Clear lens, steady-burn, Amber, Red, Blue, or White |
| M4DW* | M4 Series Super-LED combination driving/warning light, with Clear lens, Red or Blue |
| M4DWJ | M4 Series Super-LED combination driving/warning light, Red Over Blue Warning |
| M4V2* | M4 V-Series [™] , combination 180° warning and scenelight, Amber, Red, Blue, or White |



Replace * symbol in model number with letter indicating color desired: A=Amber, B=Blue, R=Red, C=White
 Replace # in model number with interleaved color desired: D=Red/White, E=Blue/White, F=Amber/White, J=Red/Blue, K=Red/Amber

DIMENSIONS



WARNING: This product may contain chemicals known to the State of California to cause cancer and birth defects or other reproductive harm. For more information, visit whelen.com/regulatory.

SurfaceMax™ Series



FEATURES

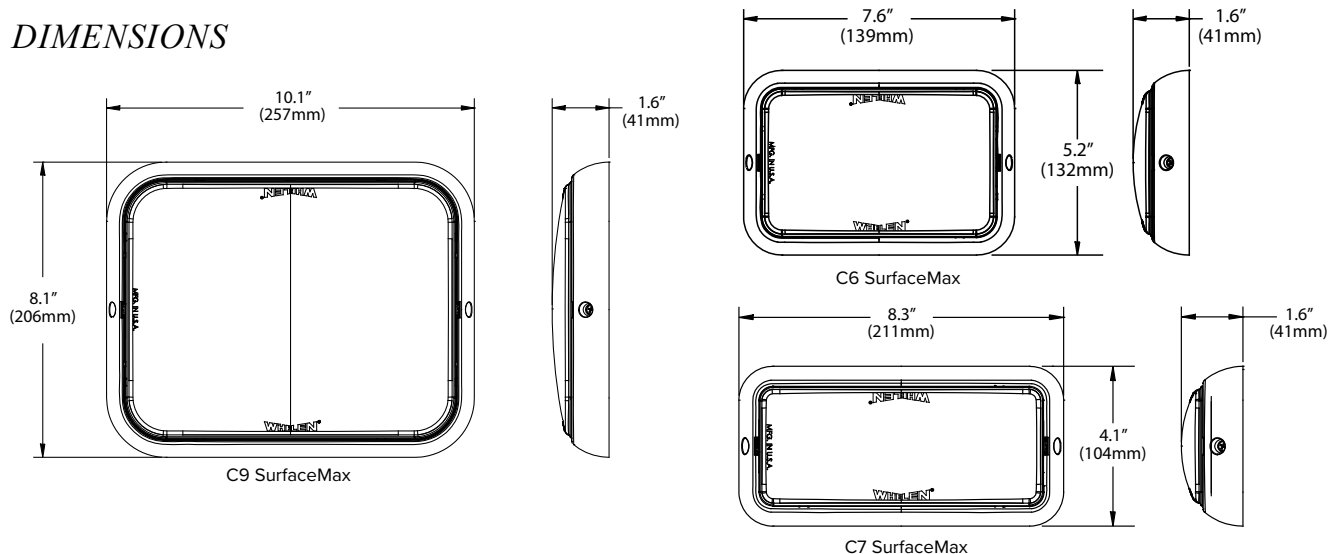
- SAE Class 1 Certified
- Surface mount Super-LED® with full-fill optic
- Clear or color lenses
- Hard-coated lenses
- Solid-state electronics
- Hi/Low power
- Optional Chrome or Black Flange
- Same mounting footprint as Hundred Series lightheades
- Visit www.whelen.com for a full list of available options

MODELS

| Models | Description |
|--------|---|
| C9L* | Warning light with internal flasher, Red, Blue, Amber or White |
| C9L'C | Warning light with internal flasher, Red, Blue, Amber or White. with Clear lens |
| C9'S | Warning light, requires LED flasher purchased separately, Red, Blue, Amber or White |
| C9'SC | Warning, requires LED flasher purchased separately, Red, Blue, Amber or White with Clear lens |
| C7L* | Warning light with internal flasher, Red, Blue, Amber or White |
| C7L'C | Warning light with internal flasher, Red, Blue, Amber or White, with Clear lens |
| C7'S | Warning light, requires LED flasher purchased separately, Red, Blue, Amber or White |
| C7'SC | Warning, requires LED flasher purchased separately, Red, Blue, Amber or White with Clear lens |
| C6L* | Warning light with internal flasher, Red, Blue, Amber or White |
| C6L'C | Warning light with internal flasher, Red, Blue, Amber or White, with Clear lens |
| C6'S | Warning light, requires LED flasher purchased separately, Red, Blue, Amber or White |
| C6'SC | Warning, requires LED flasher purchased separately, Red, Blue, Amber or White with Clear lens |

Replace * symbol in model number with letter indicating color desired: A=Amber, B=Blue, R=Red, C=White

DIMENSIONS



WARNING: This product may contain chemicals known to the State of California to cause cancer and birth defects or other reproductive harm. For more information, visit whelen.com/regulatory.

400 Series



FEATURES

- Linear Super-LED® available in single or dual level warning
- Fully encapsulated
- Hard-coated lenses
- Available with Clear or color lenses
- Visit www.whelen.com for a full list of available mounting hardware

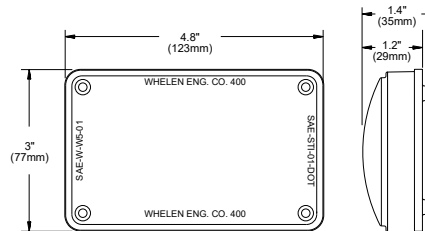


MODELS

| Models | Description |
|----------|---|
| 40**5SCR | Dual level Linear Super-LED, Amber, Red, Blue, or White |
| 40*02Z*R | Single level Linear Super-LED, Amber, Red, Blue, or White |
| 4V3* | V-Series™, Combination 180° Warning, Take-Down and Puddle Light, Amber, Red, Blue, or White warning |

Replace * symbol in model number with letter indicating color desired:
 A=Amber, B=Blue, R=Red, C=White

DIMENSIONS



500 Series



FEATURES

- Available with Linear Super-LED® or TIR6™ optics
- Fully encapsulated
- Hard-coated lenses
- Available with Clear or color lenses
- Lighthoods require mounting flange
- Visit www.whelen.com for a full list of available mounting hardware

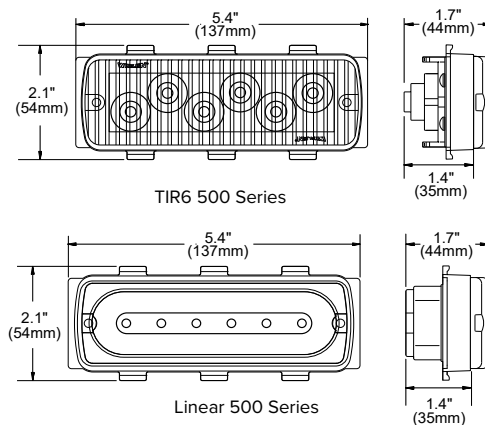


MODELS

| Models | Description |
|----------|---|
| 50*02Z*R | Linear Super-LED, horizontal mount warning, Amber, Red, or White |
| 50**2ZCR | Linear Super-LED, horizontal mount split warning, White/White, Red/Red, Amber/White, or Red/White |
| 5V*02Z*R | Linear Super-LED, vertical mount warning, Red, or White |
| 50AA2SA2 | Linear Super-LED, vertical mount for truck cab, Amber |
| 50*03Z*R | TIR6, Super-LED warning, Red, or White |
| 50**3ZCR | TIR6, Super-LED split warning, White/White, Red/Red, Amber/White, or Red/White |
| 5V1* | V-Series™ & TIR Super-LED warning, Red, White, or Green |
| 5V3* | V-Series Super-LED warning, alley/flood & puddle light, Red, or White with White illumination |

Replace * symbol in model number with letter indicating color desired:
 A=Amber, B=Blue, R=Red, C=White, G=Green

DIMENSIONS



WARNING: This product may contain chemicals known to the State of California to cause cancer and birth defects or other reproductive harm. For more information, visit whelen.com/regulatory.

600 Series



FEATURES

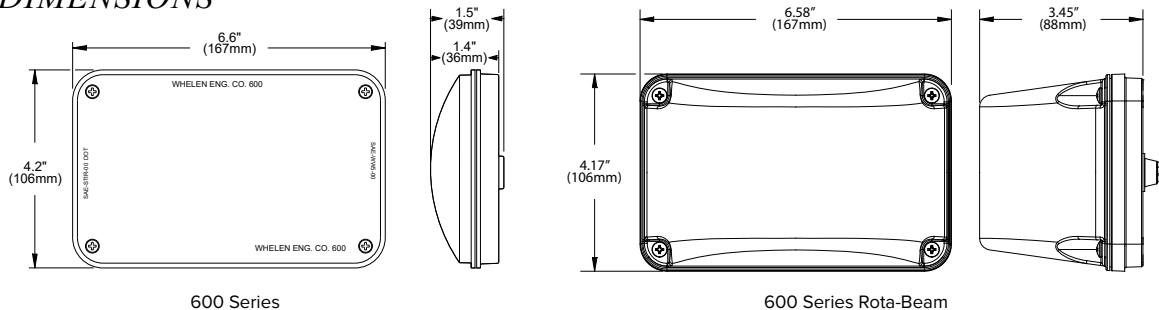
- Linear Super-LED® or Rota-Beam™ models available
- Surface mount and recess mount models
- Available with Clear or color lenses
- Available in steady-burn or with an internal flasher

MODELS

| Models | Description |
|----------|--|
| 6RB* | Rota-Beam Oscillating Super-LED, Amber, Blue, Red, or White, with color lens |
| 6RB*C | Rota-Beam Oscillating Super-LED, Amber, Blue, Red, or White, with Clear lens |
| 60°02S*R | Linear Super-LED, Amber, Blue, Red, or White |
| 60°02F*R | Linear Super-LED with internal flasher, Amber, Blue, Red, or White |
| 60RA6FCR | Linear split color Super-LED, Red/Amber with internal flasher |
| 60BR6FCR | Linear split color Super-LED, Red/Blue with internal flasher |
| 60RC6FCR | Linear split color Super-LED, Red/White with internal flasher |
| 60COELZR | Gradient Opti-Scenelight™, recess mount |
| 6SCOENZR | Gradient Opti-Scenelight, surface mount |

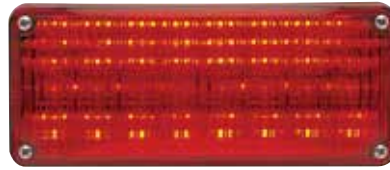
Replace * symbol in model number with letter indicating color desired: A=Amber, B=Blue, R=Red, C=White
 Replace # in model number with interleaved color desired: D=Red/White, J=Red/Blue, M=Blue/Amber

DIMENSIONS



WARNING: This product may contain chemicals known to the State of California to cause cancer and birth defects or other reproductive harm. For more information, visit whelen.com/regulatory.

700 Series



FEATURES

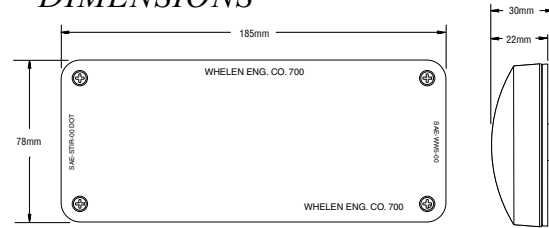
- Single or split colors
- 100% solid-state electronics
- Surface mount
- Includes 6" pigtail
- Clear or color lens

MODELS

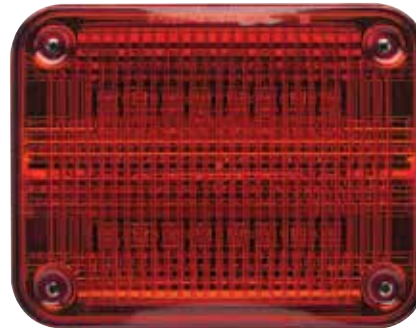
| Models | Description |
|----------|---|
| 70*02S*R | Super-LED®, Amber, Red, or White, requires LED flasher purchased separately |
| 70*02F*R | Super-LED, includes internal flasher, Amber, Red, or White |
| 70RA6FCR | 1/2 Red, 1/2 Amber, side by side with Clear outer lens |
| 70RC6FCR | 1/2 Red, 1/2 White, side by side with Clear outer lens |
| 70COELZR | Gradient Opti-Scenelight™, recess mount |
| 7SCOENZR | Gradient Opti-Scenelight, surface mount |
| 70CREGCS | Ambulance interior light, Red/White |

Replace * symbol in model number with letter indicating color desired:
 A=Amber, R=Red, C=White

DIMENSIONS



900 Series



FEATURES

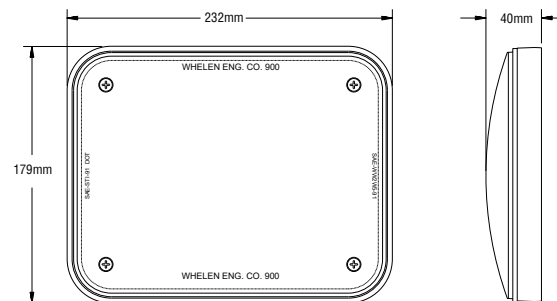
- Single or split colors
- 100% solid-state electronics
- Surface mount
- Includes 6" pigtail
- Clear or color lens

MODELS

| Models | Description |
|----------|---|
| 90**5S*R | Super-LED®, Amber, Red, or White, requires LED flasher purchased separately |
| 90**5F*R | Super-LED, includes internal flasher, Amber, Red, or White |
| 90RA5FCR | 1/2 Red, 1/2 Amber, over/under with Clear outer lens |
| 90RC5FCR | 1/2 Red, 1/2 White, over/under with Clear outer lens |
| 9SCOENZR | Gradient Opti-Scenelight™, surface mount |

Replace * symbol in model number with letter indicating color desired:
 A=Amber, R=Red, C=White

DIMENSIONS



WARNING: This product may contain chemicals known to the State of California to cause cancer and birth defects or other reproductive harm. For more information, visit whelen.com/regulatory.

ION™ Series

Standard Optic:



Wide Optic:




FEATURES

- SAE Class 1 Certified
- SOLO™ models available in single or split colors
- DUO™ and TRIO™ models feature Linear-LED® optics
- Hard-coated lenses
- Available with Smoked lenses
- Surface or universal mount
- Visit www.whelen.com for a full list of available mounting hardware

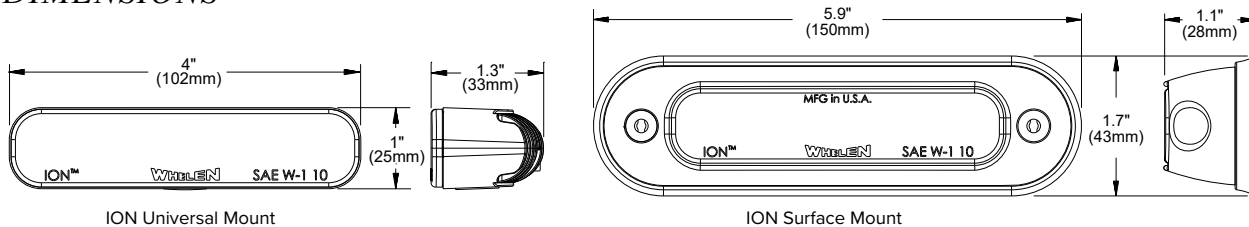
MODELS


| Models | Description |
|----------|--|
| ION* | Directional Linear Super-LED®, Amber, Blue, Red, or White |
| ION# | Directional Linear split-color Super-LED, Amber/Blue, Amber/White, Red/Blue or Red/White |
| WION* | Wide-angle Linear Super-LED, Amber, Blue, Red, or White |
| WION# | Wide-angle Linear Super-LED, Red/Blue, Red/White, Blue/Amber |
| IONSM* | Directional Linear Super-LED, Amber, Blue, Red, or White |
| IONSMC* | Directional Linear Super-LED, Amber, Blue, Red, or White |
| IONSM# | Directional Linear Super-LED, Red/Blue, Red/White, Blue/Amber |
| IONSMC# | Directional Linear Super-LED, Red/Blue, Red/White, Blue/Amber |
| WIONSM* | Wide-angle Linear Super-LED, Amber, Blue, Red, or White |
| WIONSMC* | Wide-angle Linear Super-LED, Amber, Blue, Red, or White |
| WIONSM# | Wide-angle Linear Super-LED, Red/Blue, Red/White, Blue/Amber |
| WIONSMCD | Wide-angle Linear Super-LED, Red/White |
| I2# | Linear DUO Super-LED, Amber/White, Blue/White, Red/White, Blue/Red, Blue/Amber |
| I2SM# | Linear DUO Super-LED, Amber/White, Blue/White, Red/White, Blue/Red, Blue/Amber |
| I3# | Linear TRIO Super-LED, Red/Blue/White, Red/Blue/Amber, Red/Amber/White, Blue/Amber/White |
| I3SM# | Linear TRIO Super-LED, Red/Blue/White, Red/Blue/Amber, Red/Amber/White, Blue/Amber/White |



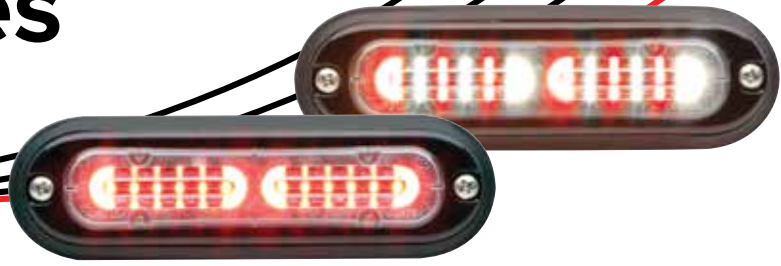
Replace * symbol in model number with letter indicating color desired: A=Amber, B=Blue, R=Red, C=White
 Replace # in model number with interleaved color desired: D=Red/White, E=Blue/White, F=Amber/White, J=Red/Blue, M=Blue/Amber

DIMENSIONS



 **WARNING:** This product may contain chemicals known to the State of California to cause cancer and birth defects or other reproductive harm. For more information, visit whelen.com/regulatory.

ION™ T-Series™



FEATURES

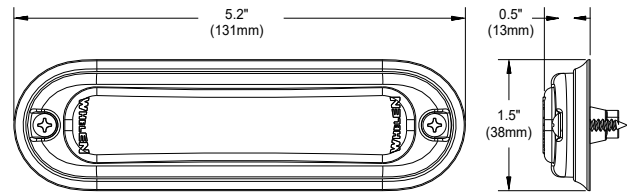
- SAE Class 1 Certified
- Linear Super-LED® optics
- Available in SOLO™ or DUO™ models
- Hard-coated lenses
- SOLO models available in single or split colors
- Available with Smoked lenses
- Easily surface mounts with two screws
- Includes Black flange

MODELS

| Models | Description |
|--------|--|
| TLI* | SOLO, Linear Super-LED, Amber, Blue, Red, or White |
| TLI# | SOLO, Linear split color Super-LED, Red/White, Blue/White, Amber/White, Red/Blue, Amber/Blue |
| TLI2# | DUO, Linear Super-LED, Red/White, Blue/White, Amber/White, Red/Blue, Amber/Blue |

Replace * symbol in model number with letter indicating color desired:
 A=Amber, B=Blue, R=Red, C=White
 Replace # in model number with interleaved color desired: D=Red/White, E=Blue/White, F=Amber/White, J=Red/Blue, M=Blue/Amber

DIMENSIONS



ION Mini T-Series™



FEATURES

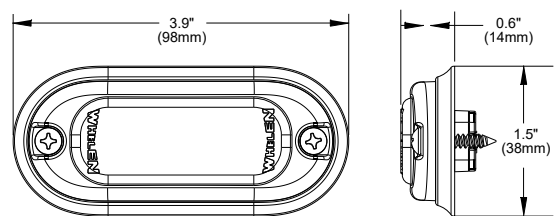
- SAE Class 1 Certified
- Linear Super-LED® optics
- Available in SOLO™ or DUO™ models
- Hard-coated lenses
- Easily surface mounts with two screws
- Includes Black flange
- Available with Smoked lenses

MODELS

| Models | Description |
|--------|---|
| TLM1* | SOLO, Linear Super-LED, Amber, Blue, Red, or White |
| TLM2# | DUO, Linear Super-LED, Red/White, Blue/White, Amber/White, Red/Blue, Amber/Blue |

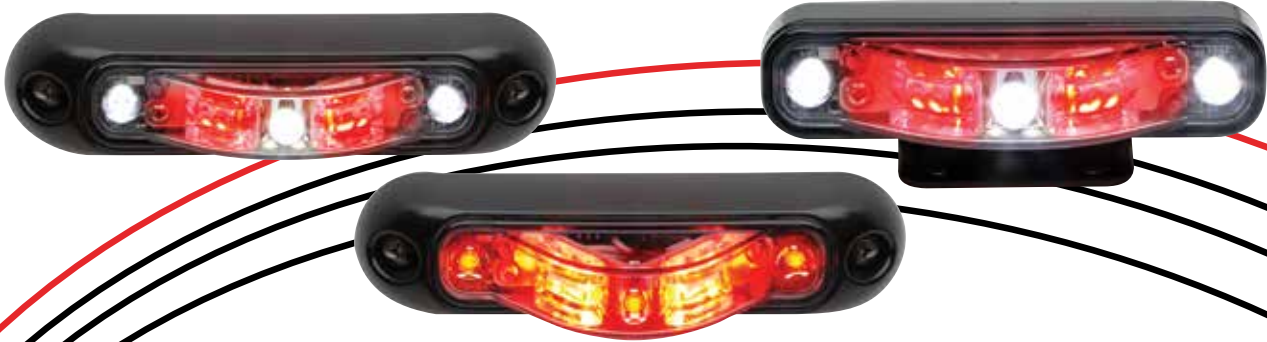
Replace * symbol in model number with letter indicating color desired:
 A=Amber, B=Blue, R=Red, C=White
 Replace # in model number with interleaved color desired: D=Red/White, E=Blue/White, F=Amber/White, J=Red/Blue, M=Blue/Amber

DIMENSIONS



WARNING: This product may contain chemicals known to the State of California to cause cancer and birth defects or other reproductive harm. For more information, visit whelen.com/regulatory.

ION™ V-Series™



FEATURES

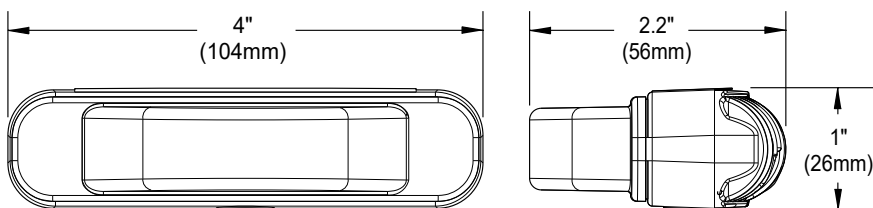
- SAE Class 1 Certified
- Available in 3-in-1 combination warning, spotlight, and ground illumination light or in single color warning only models
- Single color models have combination 180° and TIR directional warning
- Black, White, or Chrome housing
- Hard-coated lenses
- Available with Smoked lenses

MODELS

| Models | Description |
|----------|--|
| IONV3* | Universal mount, Linear Super-LED®, with Black housing, Amber, Blue, Red, or White with White illumination |
| IONSV3* | Surface mount, Linear Super-LED, with Black housing, Amber, Blue, Red, or White with White illumination |
| IONSV3*W | Surface mount, Linear Super-LED, with White housing, Amber, Blue, Red, or White with White illumination |
| IONSV3*C | Surface mount, Linear Super-LED, with Chrome housing, Amber, Blue, Red, or White with White illumination |
| IONV1* | Universal mount, Linear and TIR Super-LED with directional light, with Black housing, Amber, Blue, Red, or White |
| IONSV1* | Surface mount, Linear and TIR Super-LED with directional light, with Black housing, Amber, Blue, Red, or White |
| IONSV1*C | Surface mount, Linear and TIR Super-LED with directional light, with Chrome housing, Amber, Blue, Red, or White |

Replace * symbol in model number with letter indicating color desired: A=Amber, B=Blue, R=Red, C=White

DIMENSIONS



WARNING: This product may contain chemicals known to the State of California to cause cancer and birth defects or other reproductive harm. For more information, visit whelen.com/regulatory.

Micron™ Series



Stud Mount

FEATURES

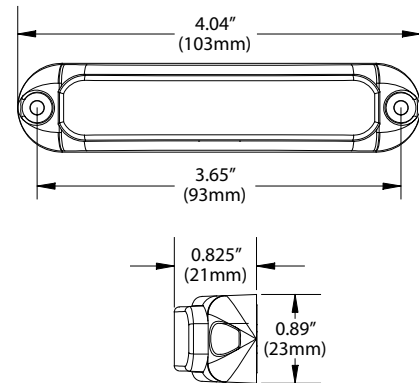
- Surface mount installation
- Fully encapsulated
- Hard-coated lenses

MODELS

| Models | Description |
|---------|---|
| MCRNS* | Surface mount, Linear Super-LED®, with Black flange, Amber, Blue, Red, or White |
| MCRNSC* | Surface mount, Linear Super-LED, with Chrome flange, Amber, Blue, Red, or White |
| MCRNS# | Surface mount, Linear split color Super-LED, with Black flange, Amber/Red, Blue/Red, White/Red |
| MCRNSC# | Surface mount, Linear split color Super-LED, with Chrome flange, Amber/Red, Blue/Red, White/Red |
| MCRNT* | Stud mount, Linear Super-LED, Amber, Blue, Red, or White |
| MCRNT# | Stud mount, Linear split color Super-LED, Amber/Red, Blue/Red, White/Red |

Replace * symbol in model number with letter indicating color desired: A=Amber, B=Blue, R=Red, C=White
 Replace # in model number with interleaved color desired: D=Red/White, J=Red/Blue, K=Red/Amber

DIMENSIONS



V23™ Series



FEATURES

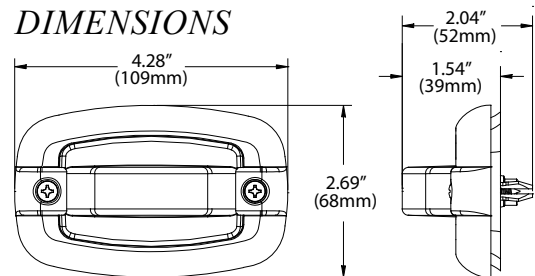
- Models have 3-in-1 180° wide-angle warning, illumination, and puddle light
- Available with Smoked lenses
- Hard-coated lenses
- Available in steady-burn or with an internal flasher
- Surface mounts via two screws for easy installation

MODELS

| Models | Description |
|---------|---|
| V23*TPB | V-Series™ Super-LED® Red, or White with White illumination, includes Black flange |
| V23*TPC | V-Series Super-LED, Red, or White with White illumination, includes Chrome flange |
| V23P20B | 20° Angled Surface Mount Housing, Black |
| V23P20C | 20° Angled Surface Mount Housing, Chrome |

Replace * symbol in model number with letter indicating color desired: A=Amber, B=Blue, R=Red, C=White

DIMENSIONS



WARNING: This product may contain chemicals known to the State of California to cause cancer and birth defects or other reproductive harm. For more information, visit whelen.com/regulatory.

Strip-Lite™ Plus



Compartment light



Warning light



Sequence light

FEATURES

- Meets SAE Class 1 specifications
- Available in SOLO™ (single color) or DUO™ (two color) models
- SOLO models have 25 Scan-Lock™ flash patterns, including steady-burn
- DUO models have 69 Scan-Lock flash patterns, including steady-burn
- Low current consumption
- Hard-coated lenses minimize environmental damage from sand, sun, salt, and road chemicals
- Durable Black or Chrome flange easily surface mounts with two screws
- Symmetrical center positioned wire exit
- Rated IP67 for dust and water resistance
- Includes a 12" pigtail
- Sequencing features: Left, right, split, and flashing patterns
- 11 Scan-Lock flashing patterns

MODELS

| Models | Description |
|----------|---|
| PS*01FCR | SOLO, Red, Blue, Amber or White, 25 Flash Patterns including Steady-Burn, Clear Lens |
| PS#02FCR | DUO, Amber/Blue, Amber/White, Blue/White, Red/Blue, Red/Amber or Red/White, 69 Flash Patterns including Steady-Burn, Clear Lens |
| PSSEQACR | Sequencing light, Amber, 6 Sequencing Patterns, 11 Flashing Patterns, Clear Lens |
| PSCOMPL | Compartment light, low intensity |
| PSCOMPH | Compartment light, high intensity |
| PSFC | Optional, Chrome Flange |

●
●
●
●
●
●
●
●
●

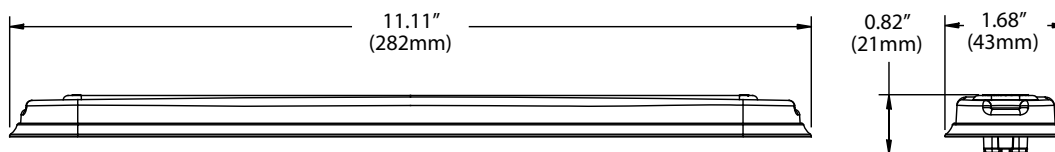
Replace * symbol in model number with letter indicating color desired: A=Amber, B=Blue, R=Red, C=White
 Replace # in model number with interleaved color desired: D=Red/White, E=Blue/White, F=Amber/White, J=Red/Blue, K=Red/Amber, M=Blue/Amber

OPTIONS



Flange PSFC

DIMENSIONS



WARNING: This product may contain chemicals known to the State of California to cause cancer and birth defects or other reproductive harm. For more information, visit whelen.com/regulatory.

Strip-Lite™ Plus XL



FEATURES

- The current volume level features full intensity illumination, while the rest of lighthouse is ghosted
- Low power mode
- Low current consumption
- Hard-coated lenses
- Durable Black or Chrome flange easily surface mounts with two screws
- Symmetrical center positioned wire exit
- Rated IP67 for dust and water resistance
- Includes Black flange that easily surface mounts with two screws. Optional Chrome flange available
- Includes a 12" pigtail

MODEL

| Models | Description |
|---------|---|
| PSTANK2 | Fluid level indicator light, Steady-Burn, Green, Blue, Amber & Red LEDs |

DIMENSIONS



WARNING: This product may contain chemicals known to the State of California to cause cancer and birth defects or other reproductive harm. For more information, visit whelen.com/regulatory.

LINV2™ V-Series™




FEATURES

- Combination 180° warning and puddle light
- Includes Black flange
- Fully encapsulated
- Hard-coated lenses
- Visit www.whelen.com for a full list of available options

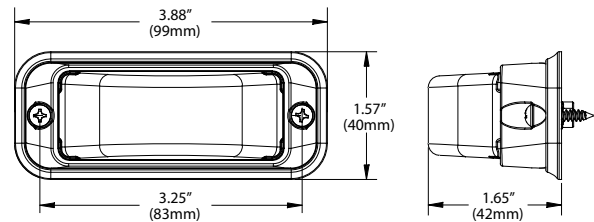


MODELS

| Models | Description |
|---------|---|
| LINV2* | Surface mount, Super-LED*, Red, or White |
| LINSV2* | Under surface mount, Super-LED, Red, or White |


 Replace * symbol in model number with letter indicating color desired: R=Red, C=White

DIMENSIONS

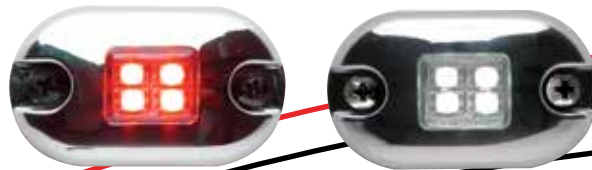


OS™ Series




FEATURES

- Fully encapsulated
- Hard-coated lenses
- Includes Chrome housing
- Clear outer lens, color LEDs

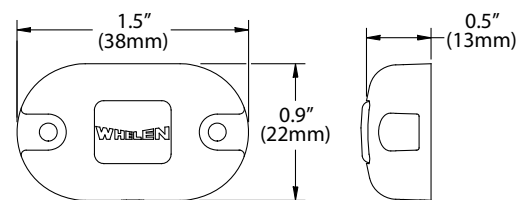



MODELS

| Models | Description |
|----------|---|
| OS*00MCR | Amber or Red Marker/Clearance Light with Clear Lens |
| OS*00FCR | Single Flash and Clear Lens |
| OS*00SCR | Steady-Burn and Clear Lens |
| OSCOEDCR | White Illumination Light with Clear Lens |
| OACOEDCR | White Illumination Light with Clear Lens and 45° Angled Chrome-Plated Bezel |


 Replace * symbol in model number with letter indicating color desired: R=Red, C=White

DIMENSIONS



 **WARNING:** This product may contain chemicals known to the State of California to cause cancer and birth defects or other reproductive harm. For more information, visit whelen.com/regulatory.

Vertex™ Series




FEATURES

- Self-contained light with in-line lamp driver
- Available as an omni-directional, side emitter, or directional lighthouse
- Designed to mount in composite style headlight or taillight, or surface mount to exterior surfaces with flange mount option
- Fully encapsulated
- Hard-coated lenses
- Clear outer lens, color LEDs
- Available with Smoked lenses
- Visit www.whelen.com for a full list of available options

MODELS

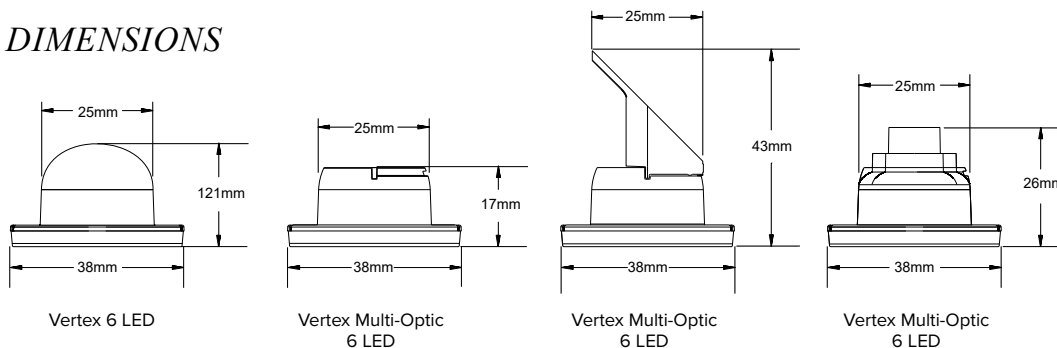
| Models | Description |
|----------|---|
| VTX609* | Recess or surface mount, omni-directional Super-LED*, Amber, Blue, Red, or White |
| VTX609# | Recess or surface mount, omni-directional Super-LED, split Amber, Blue, Red, or White |
| VTXD609* | Recess or surface mount, directional/side emitting shield Super-LED, Amber, Blue, Red, or White |
| VTXD609# | Recess or surface mount, directional/side emitting shield Super-LED, split Amber, Blue, Red, or White |
| VTX3609* | Recess mount, 360° side emitter Super-LED, Amber, Blue, Red, or White |
| VTX3609# | Recess mount, 360° side emitter Super-LED, split Amber, Blue, Red, or White |
| VTXFB | Flange Kit, Surface Mount, Black |
| VTXFC | Flange Kit, Surface Mount, Chrome |



Replace * symbol in model number with letter indicating color desired: A=Amber, B=Blue, R=Red, C=White

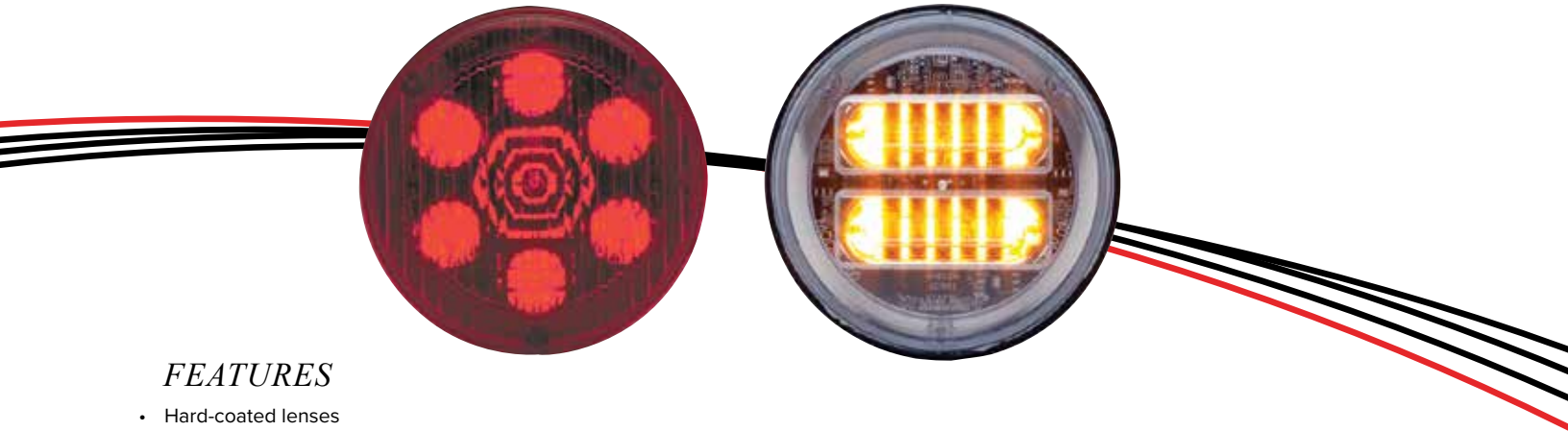
Replace # in model number with interleaved color desired: D=Red/White, E=Blue/White, F=Amber/White, J=Red/Blue, K=Red/Amber, M=Blue/Amber

DIMENSIONS



WARNING: This product may contain chemicals known to the State of California to cause cancer and birth defects or other reproductive harm. For more information, visit whelen.com/regulatory.

4" Round Series



FEATURES

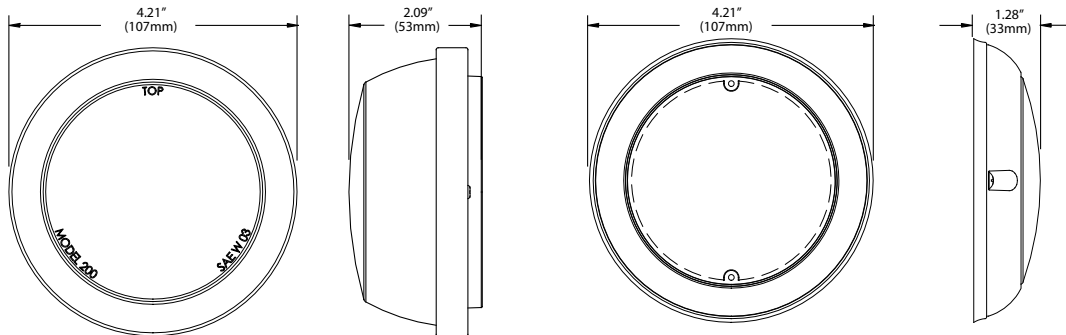
- Hard-coated lenses
- Supplied with adapter for PAR-36 (4.5") applications
- Fully encapsulated
- Visit www.whelen.com for a full list of available mounting hardware

MODELS

| Models | Description |
|----------|--|
| 2F*00Z*R | Flat lens, TIR6 [™] Super-LED [™] , Amber, Blue, Red, or White |
| 2E*00Z*R | Extended lens, Linear6 [™] Super-LED, Amber, Blue, Red, or White |
| 2E#00ZCR | Extended lens, Linear6 Super-LED, Red/Blue, Red/White, Blue/White |
| 2EP00ZCR | Extended lens, Linear6 Super-LED, Amber/Green |
| FEDC06*R | Extended lens, Linear6 Super-LED with fog lights, Amber, Blue, Red, or White |
| FEDC06#R | Extended lens, Linear6 Super-LED with fog lights, Red/Blue, Red/White, Blue/White |
| FDFP11*R | Extended lens, Linear6 Super-LED with fog lights, Interleaved White with Red or Blue |
| FDFP11JR | Extended lens, Linear6 Super-LED with fog lights, Interleaved White with Blue over Red |
| FEFP11*R | Extended lens, Linear6 Super-LED with fog lights, Amber, Blue, Red, or White |
| FEFP11#R | Extended lens, Linear6 Super-LED with fog lights, Red/Blue, Red/White, Blue/White |

Replace * symbol in model number with letter indicating color desired: A=Amber, B=Blue, R=Red, C=White
 Replace # in model number with interleaved color desired: D=Red/White, E=Blue/White, J=Red/Blue

DIMENSIONS



4 Inch Round Extended Lens

4 Inch Round Flat Lens

WARNING: This product may contain chemicals known to the State of California to cause cancer and birth defects or other reproductive harm. For more information, visit whelen.com/regulatory.



2" Round Series



FEATURES

- Hard-coated lenses
- Fully encapsulated
- Visit www.whelen.com for a full list of available mounting hardware
- Includes recessed Black flange. Optional Chrome flange available

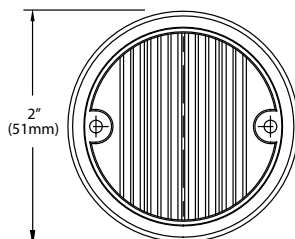


MODELS

| Models | Description |
|----------|---|
| TOA00MAR | 2" Round, LED, Marker or clearance light, Amber |
| TOR00MRR | 2" Round, LED, Marker or clearance light, Red |
| TFLANGEC | Flange kit, surface mount, Chrome |

Replace * symbol in model number with letter indicating color desired: A=Amber, R=Red

DIMENSIONS



3" Round Series



FEATURES

- Hard-coated lenses
- Visit www.whelen.com for a full list of available mounting hardware
- Available with Clear, or color lenses

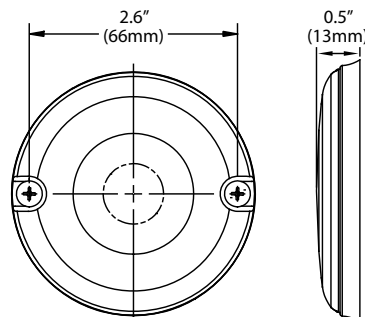


MODEL

| Model | Description |
|----------|--|
| 3S*00F*R | 3" Round surface mount LED, Amber, Blue, Red, or White |

Replace * symbol in model number with letter indicating color desired: A=Amber, B=Blue, R=Red, C=White

DIMENSIONS



WARNING: This product may contain chemicals known to the State of California to cause cancer and birth defects or other reproductive harm. For more information, visit whelen.com/regulatory.

TIR3™, LIN3™, & LINZ6™ Series



LINZ6™



LIN3™



TIR3™

FEATURES

- Hard-coated lenses
- Fully encapsulated
- Supplied with adapter for PAR-36 (4.5") applications
- Visit www.whelen.com for a full list of available mounting hardware

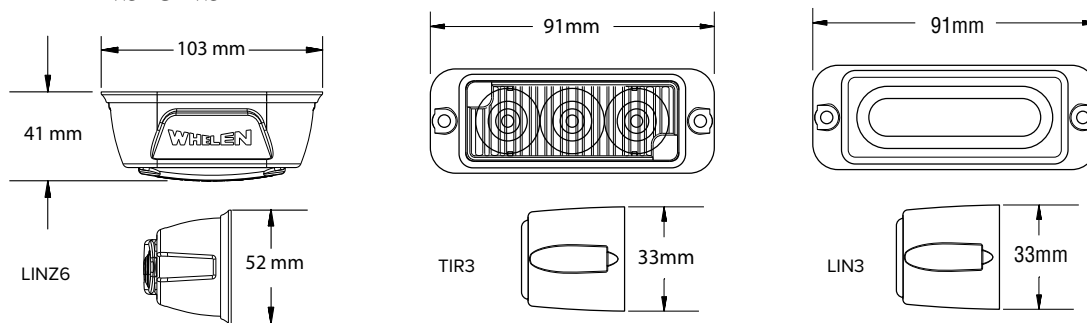
MODELS

| Models | Description |
|----------|---|
| RS*03ZCR | Horizontal surface mount, TIR3 Super-LED®, Amber, Blue, Red, or White |
| RV*03ZCR | Vertical surface mount, TIR3 Super-LED, Amber, Blue, Red, or White |
| RS*02ZCR | Horizontal surface mount, LIN3 Super-LED, Amber, Blue, Red, or White |
| LINZ6* | Horizontal surface mount, LINZ6 Super-LED, Amber, Blue, Red, or White |
| LINZ6# | Horizontal surface mount, LINZ6 Super-LED, Red/White, Red/Blue, Red/Amber |
| LINZ61 | Horizontal surface mount, LINZ6 Super-LED, Amber/Amber |
| LINZ62 | Horizontal surface mount, LINZ6 Super-LED, Blue/Blue |
| LINZ65 | Horizontal surface mount, LINZ6 Super-LED, Red/Red |

●
●
●
●
●
●
●

Replace * symbol in model number with letter indicating color desired: A=Amber, B=Blue, R=Red, C=White
 Replace # in model number with interleaved color desired: D=Red/White, J=Red/Blue, K=Red/Amber

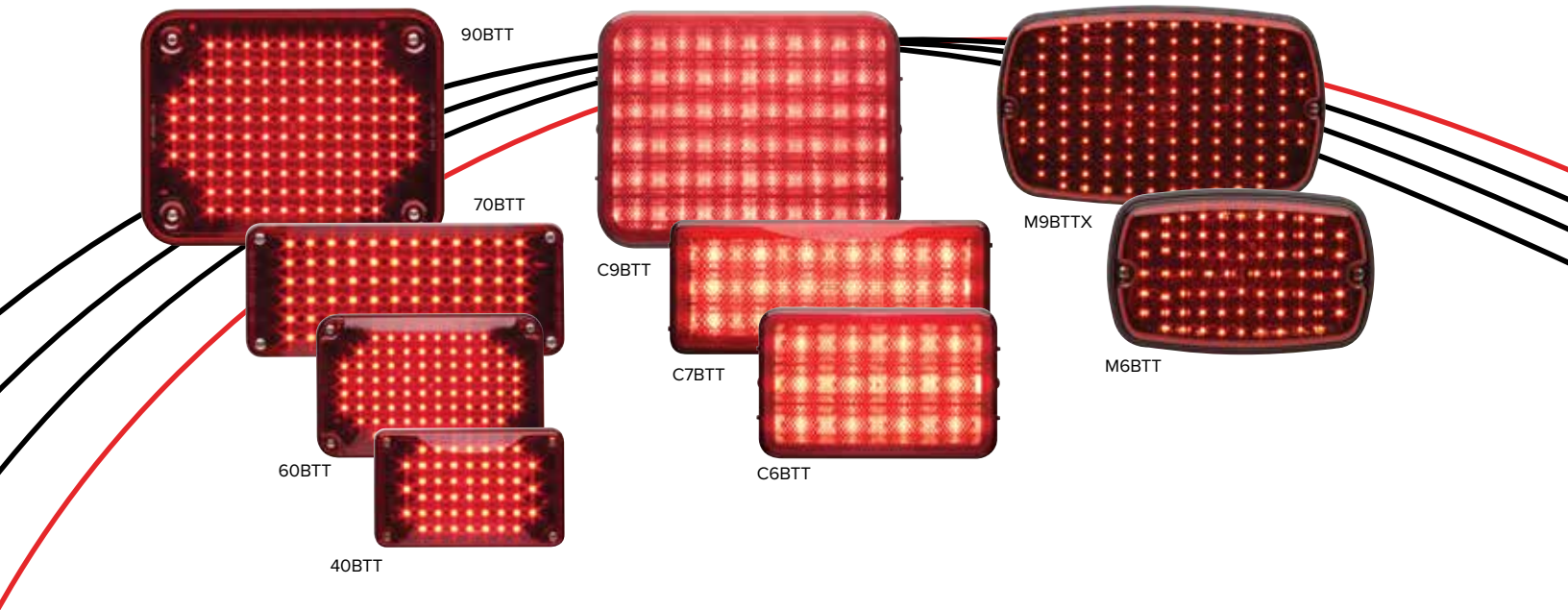
DIMENSIONS



WARNING: This product may contain chemicals known to the State of California to cause cancer and birth defects or other reproductive harm. For more information, visit whelen.com/regulatory.

Brake/Tail/Turn Lights

5YR 



FEATURES

- Hard-coated lenses
- Fully encapsulated
- Visit www.whelen.com for a full list of available mounting hardware
- See model specific pages for dimensions

MODELS

| Models | Description |
|----------|---|
| 20R00XRR | 4" Round, LED, Red |
| M6BTT | M6 Series, LED, Red |
| M9BTTX | M9 Series, LED, Red |
| 40BTT | 400 Series, LED, Red |
| 60BTT | 600 Series, LED, Red |
| 70BTT | 700 Series, LED, Red |
| 90BTT | 900 Series, LED, Red |
| C6BTT | C6 Series, SurfaceMax [®] , Super-LED [®] , Red |
| C6BTTTC | C6 Series, SurfaceMax, Super-LED, Red with Clear lens |
| C7BTT | C7 Series, SurfaceMax, Super-LED, Red |
| C7BTTTC | C7 Series, SurfaceMax, Super-LED, Red with Clear lens |
| C9BTT | C9 Series, SurfaceMax, Super-LED, Red |
| C9BTTTC | C9 Series, SurfaceMax, Super-LED, Red with Clear lens |

OPTIONS



PLASC4V Flange




PLASC3V Flange



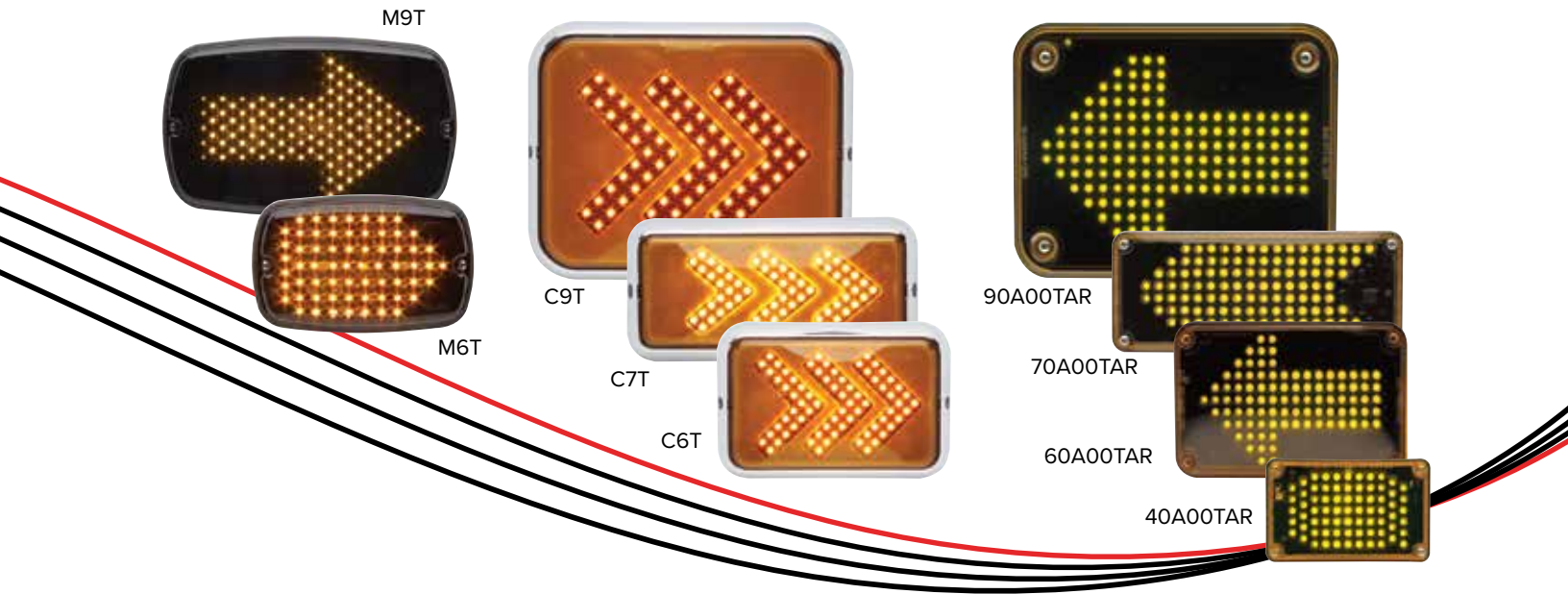
PLAST3V Flange



PLAST4V Flange

 WARNING: This product may contain chemicals known to the State of California to cause cancer and birth defects or other reproductive harm. For more information, visit whelen.com/regulatory.

Turn Signals



FEATURES

- Surface mount
- Arrows may be mounted left or right
- Hard-coated lenses
- Visit www.whelen.com for a full list of available mounting hardware
- See model specific pages for dimensions

MODELS

| Models | Description |
|----------|---|
| M6T | M6 Series, Amber LED, turn light |
| M9T | M9 Series, Amber LED, turn light |
| C6T | C6 Series, Amber turn signal, sequential chevron arrow |
| C6TC | C6 Series, Amber turn signal, sequential chevron arrow, with Clear lens |
| C7T | C7 Series, Amber turn signal, sequential chevron arrow |
| C7TC | C7 Series, Amber turn signal, sequential chevron arrow, with Clear lens |
| C9T | C9 Series, Amber turn signal, sequential chevron arrow |
| C9TC | C9 Series, Amber turn signal, sequential chevron arrow, with Clear lens |
| 40A00TAR | 400 Series, Amber LED, turn light |
| 60A00TAR | 600 Series, Amber turn signal, populated arrow |
| 70A00TAR | 700 Series, Amber turn signal, sequential chevron arrow |
| 90A00TAR | 900 Series, Amber turn signal, populated left/right arrow |

WARNING: This product may contain chemicals known to the State of California to cause cancer and birth defects or other reproductive harm. For more information, visit whelen.com/regulatory.

Back-Up Lights



C6BU



60C00VCR



60C00WCR



M9BUW

C7BU



70C00VCR



70C00WCR



M6BUW



5GC00WCR



40BUH

FEATURES

- Hard-coated lenses
- Fully encapsulated
- Visit www.whelen.com for a full list of available mounting hardware
- See model specific pages for dimensions

MODELS

| Models | Description |
|----------|--|
| M6BUW | M6 Series, Super-LED®, White |
| M9BUW | M9 Series, Super-LED, White |
| 5GC00WCR | 5G Series, Super-LED, White |
| 40BUH | 400 Series, Super-LED, White, Horizontal Mount |
| 40BUV | 400 Series, Super-LED, White, Vertical Mount |
| 60C00VCR | 600 Series, LED minimum, White |
| 60C00WCR | 600 Series, LED maximum, White |
| C6BUL | C6 Series, Surface Max® Super-LED, White |
| C6BU | C6 Series, SurfaceMax Super-LED, White |
| 70C00VCR | 700 Series, LED, minimum, White |
| 70C00WCR | 700 Series, LED, maximum, White |
| C7BUL | C7 Series, LED, minimum, White |
| C7BU | C7 Series, LED, maximum, White |

WARNING: This product may contain chemicals known to the State of California to cause cancer and birth defects or other reproductive harm. For more information, visit whelen.com/regulatory.

Scenelights



M6ZC



6SC0ENZR



C6SL



70C0ELZR



7SC0ENZR



C7SL



M7ZC



M9ZC



9SC0ENZR



C9SL

FEATURES

- Instant on with no warm-up time
- Hard-coated lenses
- Visit www.whelen.com for a full list of available mounting hardware
- See model specific pages for dimensions

MODELS

| Models | Description | Lumens |
|----------|---|--------|
| 6SC0ENZR | 600 Series, Super-LED®, White | 1,881 |
| 60C0ELZR | 600 Series, Super-LED, White | 2,485 |
| 7SC0ENZR | 700 Series, Super-LED, White | 1,428 |
| 70C0ELZR | 700 Series, Super-LED, White | 2,485 |
| 9SC0ENZR | 900 Series, Super-LED, White | 10,080 |
| PELCC | PEL Series Super-LED, Ground perimeter light, White | 1,487 |
| PELCB | PEL Series Super-LED, Ground perimeter light, White | 1,487 |
| M6ZC | M6 Series, Super-LED, White | 3,481 |
| M7ZC | M7 Series, Super-LED, White | 1,252 |
| M9ZC | M9 Series, Super-LED, White | 9,861 |
| C6SL | C6 Series, SurfaceMax™ Super-LED, White | 1,309 |
| C7SL | C7 Series, SurfaceMax™ Super-LED, White | 1,309 |
| C9SL | C9 Series, SurfaceMax Super-LED, White | 10,444 |

WARNING: This product may contain chemicals known to the State of California to cause cancer and birth defects or other reproductive harm. For more information, visit whelen.com/regulatory.

Interior Lights

5YR 12

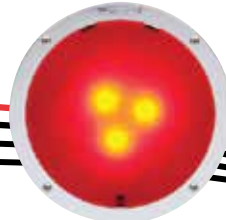


70CREGCS (shown white)

70CREGCS (shown red)



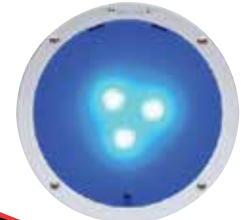
86CE1



80CREHCR



8WC00EZR



80CBEHCR



PSCOMPH



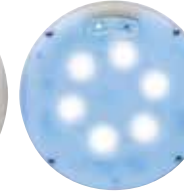
PSCOMPL



60CREGCS



60C0EHCR



60CBEGCS



60C0EJCS



5GC0CCCR



20C0CDCR



TOCACCCR



3SR0CDRR



3SBCCDCR



3SC0CDCR



3SRCCDCR



F18PC

FEATURES

- Hard-coated lenses
- Visit www.whelen.com for a full list of available mounting hardware
- See model specific pages for dimensions

MODELS

| Models | Description | Models | Description |
|----------|---|----------|---|
| 86CE1 | Rectangular interior dome Super-LED®, White | 3SC0CDCR | 3" Round LED, compartment light, White |
| TOCACCCR | 2" Round 5mm LED compartment light, White | 3SR0CDRR | 3" Round LED, nighttime illumination, Red |
| 20C0CDCR | 2G Series, 12 diode, Super-LED (4" round) compartment light, White | 3SBCCDCR | 3" Round LED, compartment light, split Blue/White |
| 20C0CDCD | 2G Series, 12 diode, Super-LED (4" round) compartment light, with Deutsch® connector, White | 3SRCCDCR | 3" Round LED, compartment light, split Red/White |
| 5GC0CCCR | 5G Series, Super-LED compartment light, White | 60C0EHCR | 6" Round Super-LED®, compartment light, 18 diode, White |
| F09PC | Fluorent Plus® Super-LED 9" compartment tube lighting, White | 60C0EJCS | 6" Round Super-LED, compartment light, 6 diode, White |
| F18PC | Fluorent Plus Super-LED 18" compartment tube lighting, White | 60CBEGCS | 6" Round Super-LED, compartment light, 6 Blue diodes & 6 White diodes |
| F27PC | Fluorent Plus Super-LED 27" compartment tube lighting, White | 60CREGCS | 6" Round Super-LED, compartment light, 6 Red diodes & 6 White diodes |
| F36PC | Fluorent Plus Super-LED 36" compartment tube lighting, White | 70CREGCS | 700 Series, compartment light, 30 Red diodes & 30 White diodes |
| F45PC | Fluorent Plus Super-LED 45" compartment tube lighting, White | 80C0EHCR | 8" Round Super-LED ambulance light, 18 diode, White |
| F54PC | Fluorent Plus Super-LED 54" compartment tube lighting, White | 80C00EZR | 8" Round Super-LED ambulance light, 18 diode, White |
| F63PC | Fluorent Plus Super-LED 63" compartment tube lighting, White | 8WC00EZR | 8" Round Super-LED ambulance light, 18 diode, White |
| PSCOMPL | Strip-Lite Plus surface mount Super-LED compartment light, low intensity | 80CBEHCR | 8" Round Super-LED ambulance light, 6 White diodes & 3 Blue diodes |
| PSCOMPH | Strip-Lite Plus surface mount Super-LED compartment light, High Intensity | 80CREHCR | 8" Round Super-LED ambulance light, 6 White diodes & 3 Red diodes |

WARNING: This product may contain chemicals known to the State of California to cause cancer and birth defects or other reproductive harm. For more information, visit whelen.com/regulatory.

W White Illumination



Arges[®] Remote Spotlight

5YR 2YR MOTOR ONLY 12" WECAN X PROCLERA PROFOCUS™ W E C A N X.



FEATURES

- ProFocus™ Models: 5° spot to 60° flood variable beam width
- Spotlight Models: 5° spot
- Proclera® Silicone Optics
- Black die-cast aluminum housing
- CenCom Core® and WeCanX® compatible
- Provides 360° of continuous rotation and a 180° tilt range
- The drivetrain is electronically and mechanically protected
- No A-pillar drilling or airbag interference
- Includes two 18" power control harnesses and one 12" communication cable
- Program Arges with Whelen Command® or use alone with its paired control head
- The full Arges system passes CISPR 25 Class 3

CONTROL HEAD

- The paddle rotates and tilts Arges for full control and maintains a 1:1 relationship with the lighthouse
- The home button moves Arges to the home position. When Arges is not in use, the home position is aerodynamic and inconspicuous

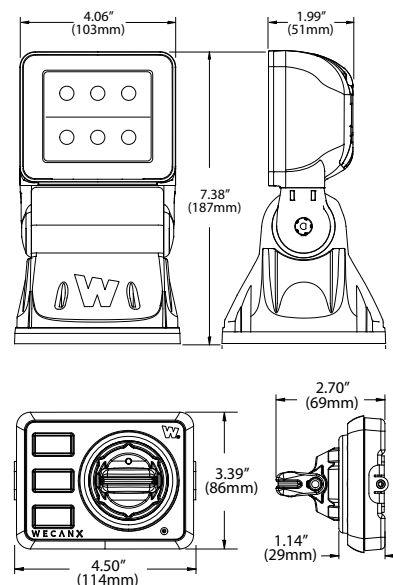
OPTICS

- 1,800 lumens
- 130,000 peak candela
- 50% brighter than the Whelen PAR-46 replacement lamp

MODELS

| Models | Description |
|---------|--|
| ARGES1 | 5° Spotlight with Proclera Silicone Optic |
| ARGES2 | S2 ProFocus™, select from Spot/Flood combination light or Floodlight from the control head |
| ARGCH1 | Control head for Arges, bail bracket |
| ARGCH2 | Control head for Arges, swivel mount |
| ARGFM | Flat Mount, Universal |
| ARG49D | Chevy Silverado 1500, 2019, driver side fender mounting |
| ARG49BD | Chevy Silverado 2500/3500, 2020, driver side fender mounting |
| ARG45D | Chevy Tahoe, 2015-2019, driver side fender mounting |
| ARG45P | Chevy Tahoe, 2015-2019, passenger side fender mounting |
| ARG35D | Dodge Charger, 2016-2019, driver side fender mounting |
| ARG44D | Dodge Durango, 2015-2019, driver side fender mounting |
| ARG42D | Ram 1500/2500/3500, 2014-2018 and Ram 1500 (Classic), 2019, driver side fender mounting |
| ARG34D | Ford Police Interceptor Utility, 2016-2019, driver side fender mounting |
| ARG50D | Ford Police Interceptor Utility, 2020, driver side fender mounting |
| ARG50P | Ford Police Interceptor Utility, 2020, passenger side fender mounting |
| ARG47D | Ford F-150, 2019, driver side fender mount |
| ARG47CD | Ford F-150, 2021, driver side fender mount |
| ARG47BD | Ford F-250/F-350/F-450 Super-Duty, 2019-2020, driver side fender mount |
| ARG47BP | Ford F-250/F-350/F-450 Super-Duty, 2019-2020, passenger side fender mount |
| ARG48D | Ford Expedition, 2019, driver side fender mount |

DIMENSIONS



WARNING: This product may contain chemicals known to the State of California to cause cancer and birth defects or other reproductive harm. For more information, visit whelen.com/regulatory.

PAR Replacement Lamps

5YR



FEATURES

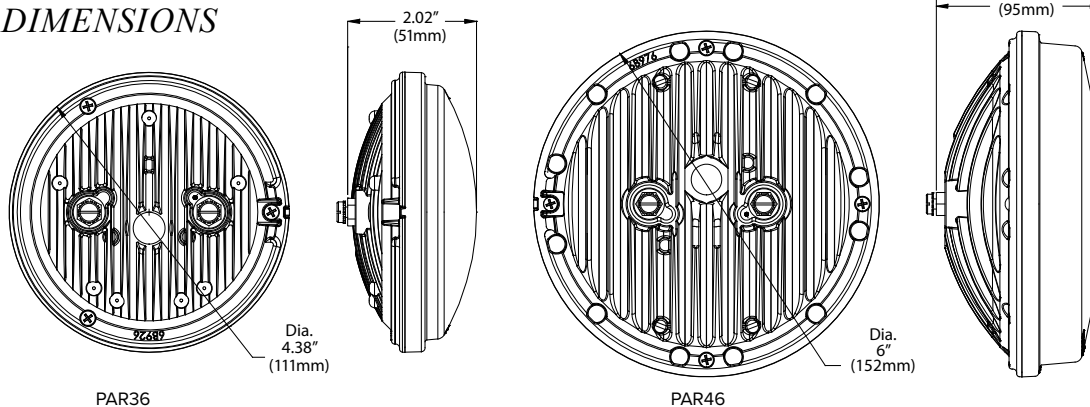
- Hard-coated lenses
- Includes 6" pigtail
- Handheld units includes 90lb pull magnet mount
- Available with Clear or Smoked lenses
- Visit www.whelen.com for a full list of available mounting hardware

MODELS

| Models | Description | Lumens |
|---------|---|--------|
| P46SC | PAR-46 Replacement, 2° Spotlight (Replaces P46SLC) | 3,560 |
| P46SCX | PAR-46 Replacement, 2° Spotlight, with Smoked Lens (Replaces P46SLCX) | 3,560 |
| P46FLC | PAR-46 Super-LED, 8° Spotlight, White | 1,947 |
| P46FLCX | PAR-46 Super-LED, 8° Spotlight, with Smoked lens, White | 1,947 |
| P46WLC | PAR-46 Super-LED, 20° x 60° Floodlight, White | 1,947 |
| P46WLCX | PAR-46 Super-LED, 20° x 60° Floodlight, with Smoked lens, White | 1,947 |
| P46S2* | PAR-46 Super-LED, 8° Spotlight with Blue or Red warning | - |
| P46S2X2 | PAR-46 Super-LED, 8° Spotlight with California Steady Red | - |
| P46S2*3 | PAR-46 Super-LED, 8° Spotlight with Blue or Red warning | - |
| P36SLC | PAR-36 Super-LED, 2° Spotlight, White | - |

Replace * symbol in model number with letter indicating color desired: B=Blue, R=Red

DIMENSIONS



WARNING: This product may contain chemicals known to the State of California to cause cancer and birth defects or other reproductive harm. For more information, visit whelen.com/regulatory.

PAR-36 & PAR-46

5YR  



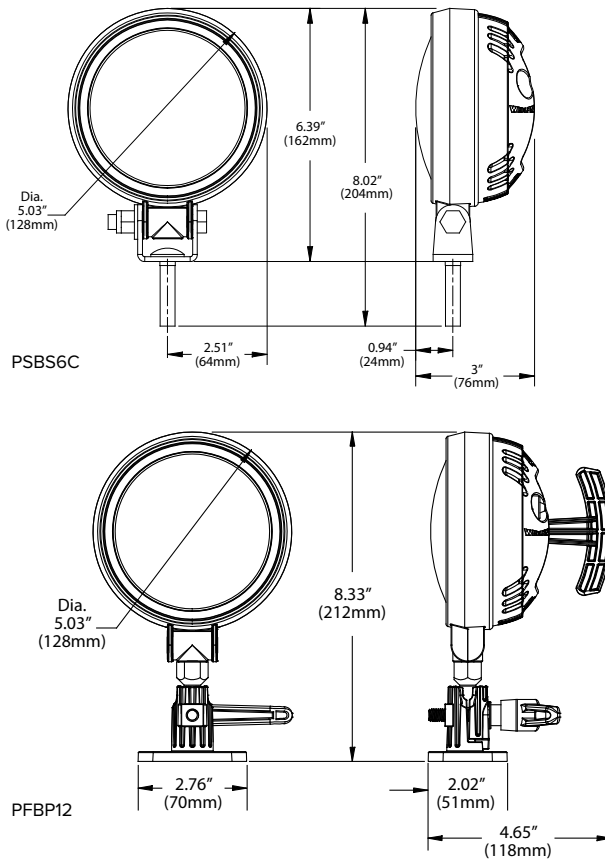
FEATURES


- Floodlight or spotlight models
- Black cast aluminum housing
- Hard-coated lenses
- Indexing locking lever on pedestal swivel
- Super-LED® with low current draw
- Stainless steel bracket and hardware included
- Two intensities available
- Visit www.whelen.com for a full list of available options

MODELS

| Models | Description | Lumens |
|---------|---|--------|
| PFBP12 | 12 Super-LED floodlight, Black housing | 1,724 |
| PFBP12C | 12 Super-LED floodlight, Black housing with Chrome rear cover | 1,724 |
| PFBP6 | 6 Super-LED floodlight, Black housing | 862 |
| PFBP6C | 6 Super-LED floodlight, Black housing with Chrome rear cover | 862 |
| PFBS12 | 12 Super-LED floodlight, Black housing | 1,724 |
| PFBS12C | 12 Super-LED floodlight, Black housing with Chrome rear cover | 1,724 |
| PFBS6 | 6 Super-LED floodlight, Black housing | 862 |
| PFBS6C | 6 Super-LED floodlight, Black housing with Chrome rear cover | 862 |
| PFBS6S | 6 Super-LED floodlight, Black housing with switch | 862 |
| PFBS12S | 12 Super-LED floodlight, Black housing with switch | 1,724 |
| PSBP12 | 12 Super-LED spotlight, Black housing | 1,724 |
| PSBP12C | 12 Super-LED spotlight, Black housing with Chrome rear cover | 1,724 |
| PSBP6 | 6 Super-LED spotlight, Black housing | 862 |
| PSBP6C | 6 Super-LED spotlight, Black housing with Chrome rear cover | 862 |
| PSBS12 | 12 Super-LED spotlight, Black housing | 1,724 |
| PSBS12C | 12 Super-LED spotlight, Black housing with Chrome rear cover | 1,724 |
| PSBS6 | 6 Super-LED spotlight, Black housing | 862 |
| PSBS6C | 6 Super-LED spotlight, Black housing with Chrome rear cover | 862 |
| PSBS6S | 6 Super-LED spotlight, Black housing with switch | 862 |
| PSBS12S | 12 Super-LED spotlight, Black housing with switch | 1,724 |

DIMENSIONS



 **WARNING:** This product may contain chemicals known to the State of California to cause cancer and birth defects or other reproductive harm. For more information, visit www.whelen.com/regulatory.

Handheld Spot/Floodlights



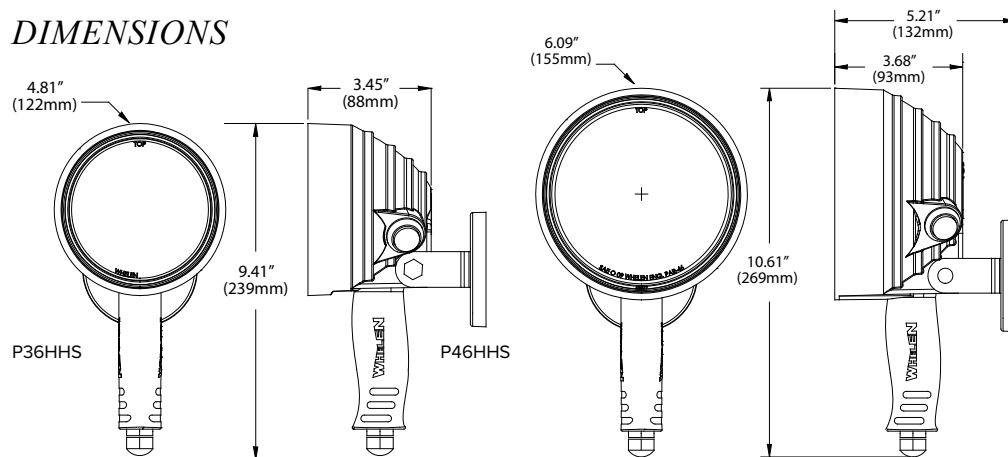
FEATURES

- 90lb pull magnet mount with 8' coiled cord and cigar plug
- Built-in push-button On/Off switch
- Hard-coated lenses
- Visit www.whelen.com for a full list of available options

MODELS

| Models | Description |
|--------|--|
| P36HHS | PAR-36, Super-LED® handheld combination spotlight/floodlight |
| P46HHS | PAR-46, Super-LED handheld spotlight |

DIMENSIONS



WARNING: This product may contain chemicals known to the State of California to cause cancer and birth defects or other reproductive harm. For more information, visit whelen.com/regulatory.

Rubber Housing Spot/Floodlights

5YR  



P36SLCHG

P46SLCHG

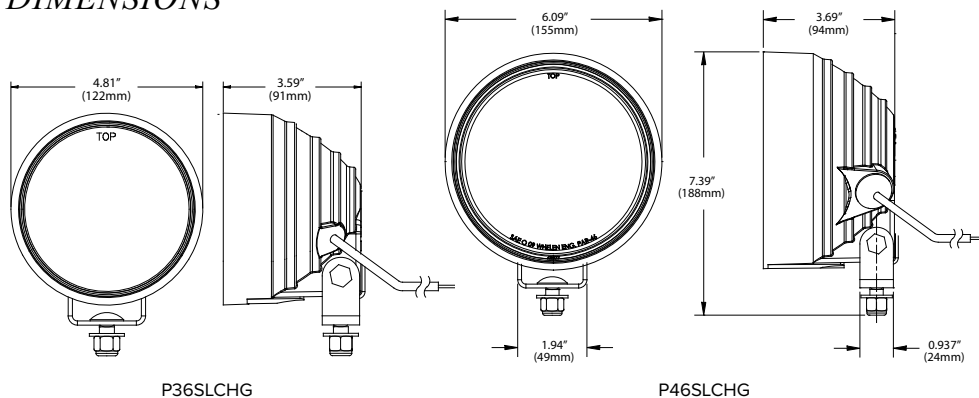
FEATURES

- Rubber stud/swivel housing
- Available with or without lighthood
- Hard-coated lenses
- Visit www.whelen.com for a full list of available options

MODELS


| Models | Description | Lumens |
|----------|--|--------|
| P36SLCHG | PAR-36, combination spotlight/floodlight | 779 |
| P46SLCHG | PAR-46, spotlight | 3,560 |

DIMENSIONS



P36SLCHG

P46SLCHG

 WARNING: This product may contain chemicals known to the State of California to cause cancer and birth defects or other reproductive harm. For more information, visit whelen.com/regulatory.

Pioneer Summit™



Download Pioneer™ Designer for models and options whelen.com/eng_apps

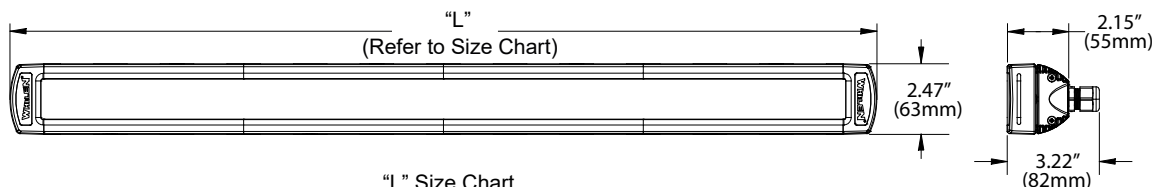


FEATURES

- SAE 578 Color Temperature Certified
- Preconfigured spot, flood, or scene optics
- Available with White illumination, Amber marker, and warning lights
- Warning lights require remote flasher, purchased separately
- Individual control of each set of optics
- Hard-coated lenses
- Extruded and die-cast aluminum powder coated housing available in Black or White
- Screwless lens retainer design provides a clean finish and the improved ability to adjust optic configuration
- 100% solid-state electronics
- Rear mounting track for flexible mounting configurations, bail bracket mount standard
- Visit www.whelen.com for a full list of models



DIMENSIONS



"L" Size Chart

| | | | | |
|-------------------|---------------------|---------------------|---------------------|---------------------|
| 30.37" (771mm) | 44.37" (1,127mm) | 58.37" (1,483mm) | 72.37" (1,838mm) | 86.37" (2,194mm) |
|-------------------|---------------------|---------------------|---------------------|---------------------|

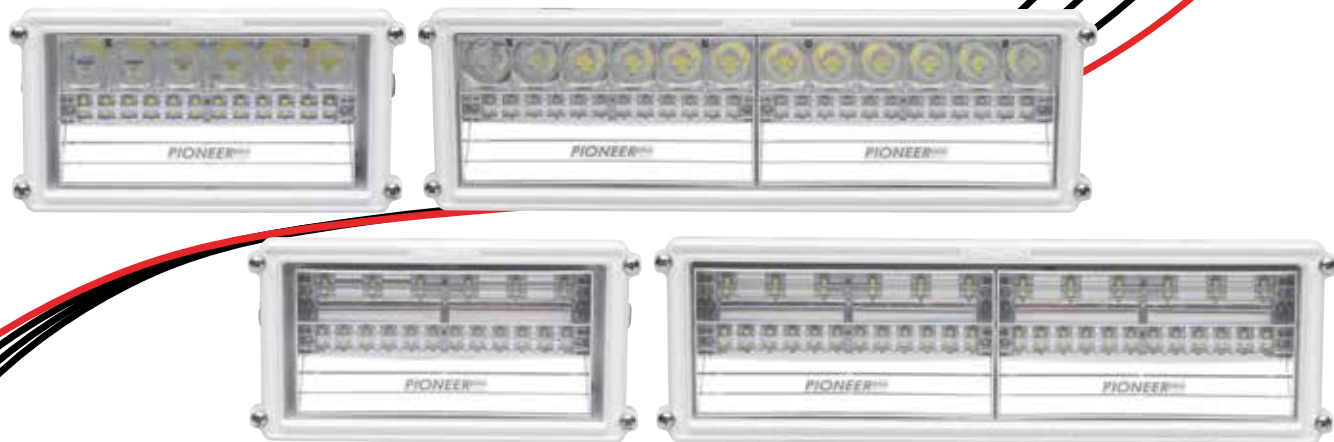
WARNING: This product may contain chemicals known to the State of California to cause cancer and birth defects or other reproductive harm. For more information, visit whelen.com/regulatory.

Pioneer Plus™

5YR 12 24 120 IP67 PROCLERA



Download Pioneer™ Designer for models and options whelen.com/eng_apps



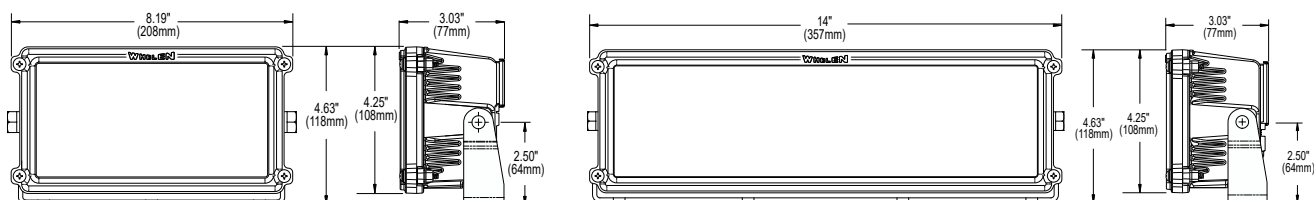
FEATURES

- Available in single and dual models
- Pioneer Plus Combination Floodlight/ Spotlight features Proclera® Optic Technology
- Injection molded polycarbonate lenses are impact resistant and hard-coated
- Die-cast aluminum powder-coated housing in Black or White
- Solid-state electronics
- LEDs are instant On/Off, eliminating ramp up time and high current inrush
- Correlated Color Temperature (CCT) of 5,700° kelvin simulates bright midday light
- Powder-coated stainless steel bail bracket
- DC models includes 240" cable, AC models include 12" wire leads
- Visit www.whelen.com for a full list of available options

MODELS

| Models | Description | Lumens |
|---------|--|--------|
| PFH1 | Single panel floodlight | 10,130 |
| PCH1 | Single panel combination flood/spot | 10,130 |
| PFH2 | Dual panel floodlight | 20,261 |
| PCH2 | Dual panel combination flood/spot | 20,261 |
| PFP1AC | Single panel floodlight, 115 VAC | 10,130 |
| PSP1AC | Single panel, spot Light, 8°, 115 VAC | 10,130 |
| PFP2AC | Dual panel floodlight, 115 VAC | 20,261 |
| PCP2AFS | Dual panel, combination flood/spotlight, 115 VAC | 20,614 |
| PCP2ASF | Dual panel, combination spot/floodlight, 115 VAC | 20,614 |
| PCP3 | Max combination flood and 8° spotlight | 19,305 |
| PCP3A | Max combination flood and 8° spotlight, 115 VAC | 19,819 |

DIMENSIONS



WARNING: This product may contain chemicals known to the State of California to cause cancer and birth defects or other reproductive harm. For more information, visit whelen.com/regulatory.

Pioneer Plus™ Surface Mount



Download Pioneer™ Designer for models and options whelen.com/eng_apps



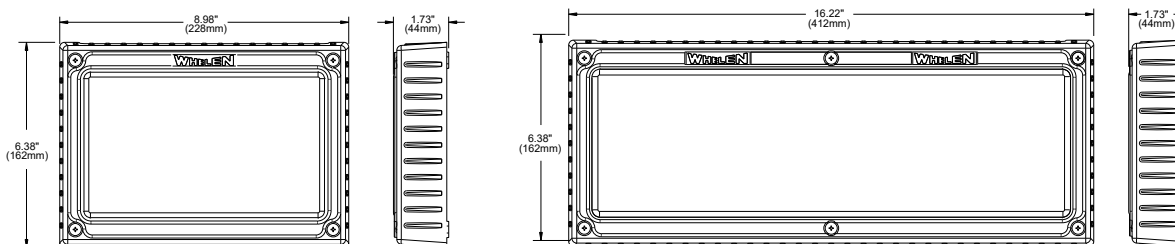
FEATURES

- Available in single and dual models
- Injection molded polycarbonate lenses are impact resistant and hard-coated
- Powder coated housing in Black or White
- Solid-state electronics
- LEDs are instant On/Off, eliminating ramp up time and high current inrush
- Correlated Color Temperature (CCT) of 5,700° kelvin simulates bright midday light
- Includes 72" cable
- Surface mount:
 - Requires no body cut-outs
 - Built-in nylon screw grommets eliminate galvanic corrosion
 - Uniquely designed silicone grommet seals the 1" wire entry into the body
 - Available with Chrome or Black flange

MODELS

| Models | Description | Lumens |
|----------|--|--------|
| PCPSM1C | Single panel, combination flood/spot, Chrome flange | 10,444 |
| PCPSM1B | Single panel, combination flood/spot, Black flange | 10,444 |
| PCPSM1AC | Single panel, combination flood/spot, 115 VAC, Chrome flange | 11,231 |
| PCPSM1AB | Single panel, combination flood/spot, 115 VAC, Black flange | 11,231 |
| PCPSM2C | Dual panel, combination flood/spot, Chrome flange | 20,888 |
| PCPSM2B | Dual panel, combination flood/spot, Black flange | 20,888 |
| PCPSM2AC | Dual panel, combination flood/spot, 115 VAC, Chrome flange | 22,462 |
| PCPSM2AB | Dual panel, combination flood/spot, 115 VAC, Black flange | 22,462 |

DIMENSIONS



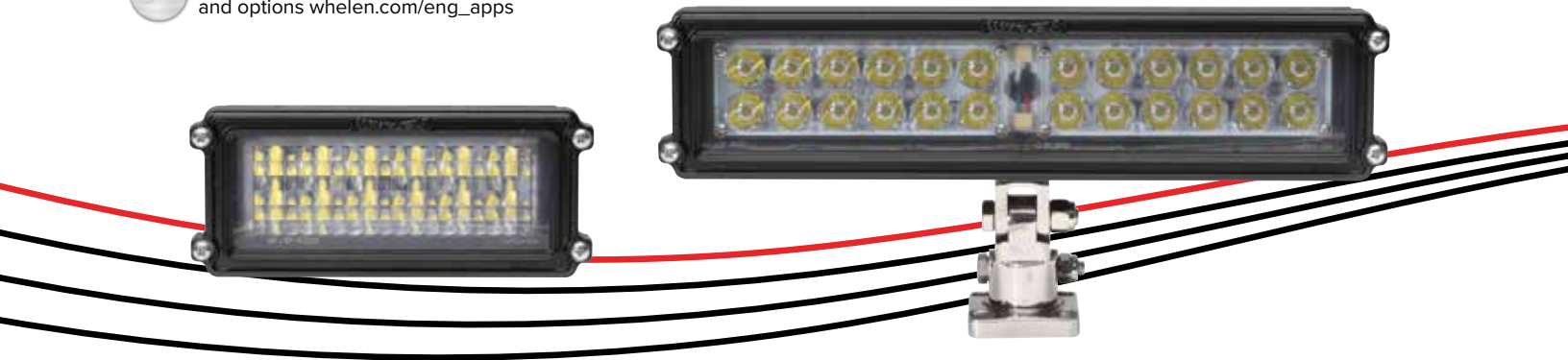
WARNING: This product may contain chemicals known to the State of California to cause cancer and birth defects or other reproductive harm. For more information, visit www.whelen.com/regulatory.

Pioneer SlimLine™

5YR 12 24 IP67



Download Pioneer™ Designer for models and options whelen.com/eng_apps



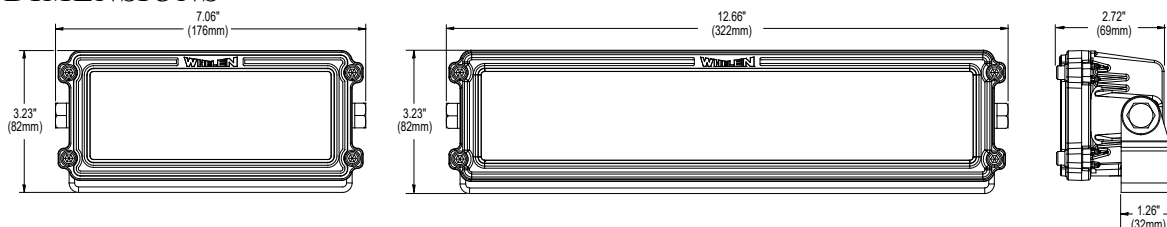
FEATURES

- Available in single or dual models
- Single Lamp Models - 8° spotlight pattern comes standard. Includes additional 40° x 20° flood lens
- Dual Lamp Models - 8° spotlight pattern comes standard. Includes two additional optic lenses for a light pattern choice of:
 - Dual 40° x 20° flood
 - 8° spot and 40° x 20° flood
- Optic lens changes easily via removable lens retainer
- Injection molded polycarbonate lenses are impact resistant and hard-coated
- Die-cast aluminum powder-coated housing in Black or White
- Solid-state electronics
- LEDs are instant On/Off, eliminating ramp up time and high current inrush
- Correlated Color Temperature (CCT) of 5,700° kelvin simulates bright midday light
- Includes 72" cable
- Powder-coated stainless steel bail bracket
- Visit www.whelen.com for a full list of available options

MODELS

| Models | Description | Lumens |
|---------|--|--------|
| PSL1B | Single panel, bail/stud mount, White housing | 5,103 |
| PSL1BB | Single panel, bail/stud mount, Black housing | 5,103 |
| PSL1P | Single panel, low profile pedestal/swivel mount, White housing | 5,103 |
| PSL1PB | Single panel, low profile pedestal/swivel mount, Black housing | 5,103 |
| PSL1R | Single panel, semi-recessed, Chrome flange mount, White housing | 5,103 |
| PSL1RB | Single panel, semi-recessed, Chrome flange mount, Black housing | 5,103 |
| PSL1R5 | Single panel, semi-recessed 15° angle Chrome flange mount, White housing | 5,103 |
| PSL1R5B | Single panel, semi-recessed 15° angle Chrome flange mount, Black housing | 5,103 |
| PSL2B | Dual panel, bail/stud mount, White housing | 10,206 |
| PSL2BB | Dual panel, bail/stud mount, Black housing | 10,206 |
| PSL2P | Dual panel, low profile pedestal/swivel mount, White housing | 10,206 |
| PSL2PB | Dual panel, low profile pedestal/swivel mount, Black housing | 10,206 |
| PSL2R | Dual panel, semi-recessed, Chrome flange mount, White housing | 10,206 |
| PSL2RB | Dual panel, semi-recessed, Chrome flange mount, Black housing | 10,206 |
| PSL2R5 | Dual panel, semi-recessed 15° angle Chrome flange mount, White housing | 10,206 |
| PSL2R5B | Dual panel, semi-recessed 15° angle Chrome flange mount, Black housing | 10,206 |

DIMENSIONS



WARNING: This product may contain chemicals known to the State of California to cause cancer and birth defects or other reproductive harm. For more information, visit whelen.com/regulatory.

Pioneer Micro™

5YR 12 24 IP67



Download Pioneer™ Designer for models and options whelen.com/eng_apps



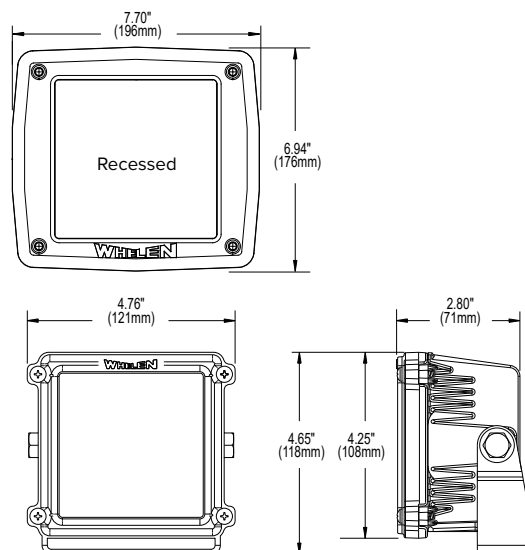
FEATURES

- 8° spotlight pattern comes standard. Includes three additional optic lenses for a light pattern choice of:
 - 90° x 20° wide flood
 - 40° x 20° standard flood
 - 40° x 8° narrow flood
- Optic lens changes easily via removable lens retainer
- Injection molded polycarbonate lenses are impact resistant and hard-coated
- Die-cast aluminum powder-coated housing in Black or White
- Solid-state electronics
- LEDs are instant On/Off, eliminating ramp up time and high current inrush
- Correlated Color Temperature (CCT) of 5,700° kelvin simulates bright midday light
- Includes 72" cable
- Five mounts available:
 - Powder-coated stainless steel bail bracket with 0.375" stud carriage bolt mount
 - Recessed 90° angle mount with Chrome flange
 - Recessed 15° angle mount with Chrome flange
 - Pole/pedestal mount with handle available with or without On/Off switch
 - Low profile pedestal mount available with Chrome or Black back cover, with or without On/Off switch
- Visit www.whelen.com for a full list of available options

MODELS

| Models | Description | Lumens |
|--------|--|--------|
| MPBW | Bail/stud mount, White housing | 5,695 |
| MPBB | Bail/stud mount, Black housing | 5,695 |
| MPPW | Low profile pedestal/swivel mount, White housing | 5,695 |
| MPPWCS | Low profile pedestal/swivel mount, White housing with Chrome cover and On/Off switch | 5,695 |
| MPPB | Low profile pedestal/swivel mount, Black housing | 5,695 |
| MPPBBS | Low profile pedestal/swivel mount, Black housing | 5,695 |
| MPPBCS | Low profile pedestal/swivel mount, Black housing with Chrome cover and On/Off switch | 5,695 |
| MPRW | Straight recessed mount, White | 5,695 |
| MPRB | Straight recessed mount, Black | 5,695 |
| MPR15W | 15 Degree recessed mount, White | 5,695 |

DIMENSIONS



WARNING: This product may contain chemicals known to the State of California to cause cancer and birth defects or other reproductive harm. For more information, visit whelen.com/regulatory.

Pioneer Nano™

5YR 12 24 IP67



Download Pioneer™ Designer for models and options whelen.com/eng_apps



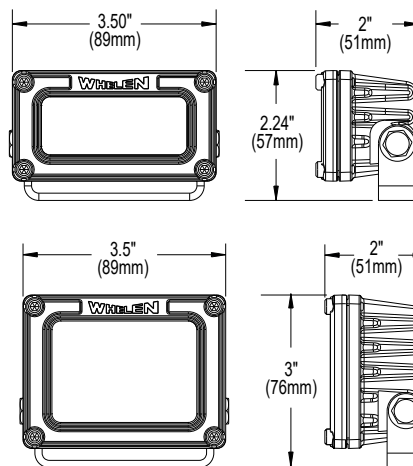
FEATURES

- 8° spotlight pattern comes standard. Includes additional optic lens for a light pattern choice of:
 - 40° x 20° flood
- Optic lens changes easily via removable lens retainer
- Injection molded polycarbonate lenses are impact resistant and hard-coated
- Die-cast aluminum powder-coated housing in Black or White
- Solid-state electronics
- LEDs are instant On/Off, eliminating ramp up time and high current inrush
- Correlated Color Temperature (CCT) of 5,700° kelvin simulates bright midday light
- Includes 72" cable
- Powder-coated stainless steel bail bracket with 0.375" stud carriage bolt mount
- Visit www.whelen.com for a full list of available options

MODELS

| Models | Description | Lumens |
|--------|---------------------------------------|--------|
| NP3BW | 3-LED, with bail mount, White housing | 1,566 |
| NP3BB | 3-LED, with bail mount, Black housing | 1,566 |
| NP6BW | 6-LED, with bail mount, White housing | 2,552 |
| NP6BB | 6-LED, with bail mount, Black housing | 2,552 |

DIMENSIONS



WARNING: This product may contain chemicals known to the State of California to cause cancer and birth defects or other reproductive harm. For more information, visit whelen.com/regulatory.

Pioneer LiFe™ Series

5YR 12 IP67



Download Pioneer™ Designer for models and options whelen.com/eng_apps



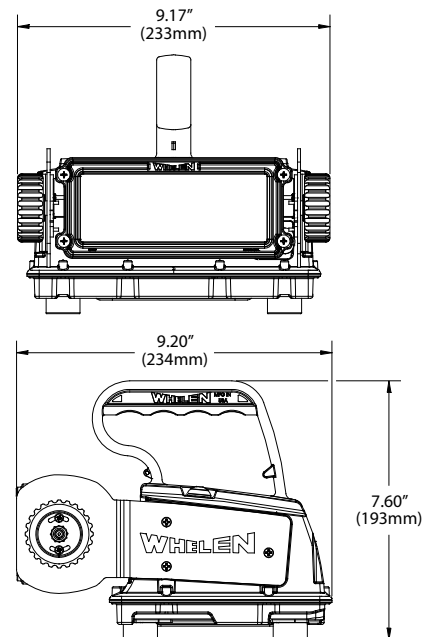
FEATURES

- Pioneer SlimLine™ optic is optimized for portable applications in order to control and focus light to work areas
- Includes two optic lenses:
 - Floodlight lens
 - 8° TIR spotlight lens
- Impact-resistant glass-reinforced nylon housing in Black or Safety Yellow
- The adjustable ratcheting mechanism allows for a 180° range of uninterrupted light
- Intelligent Inductive Charger™ (IIC) is wireless and eliminates the need for plugs and wires by utilizing inductive charging technology
- Pioneer LiFe 35 lights feature a built-in lithium iron phosphate battery
- Pioneer LiFe 28 lights are available with a built-in lithium iron phosphate or lead acid battery

MODELS

| Models | Description | Lumens |
|----------|--|--------|
| LF35 | 12 VDC light, with 4,500 lumens | 5,103 |
| LF35A | 115-240 VAC light, with 4,500 lumens, NEMA plug for U.S. | 5,103 |
| LF35E | 240 VAC light, with 4,500 lumens, CEE7 plug for Europe | - |
| LF28 | 12 VDC light, with 2,800 lumens, rechargeable LiFePO Battery | - |
| LA28 | 12 VDC light, with 2,800 lumens, rechargeable lead acid battery | - |
| LF28A | 115 - 240 VAC light, with 2,800 lumens, rechargeable LiFePO battery, with standard NEMA plug for U.S. | - |
| LA28A | 115 - 240 VAC light, with 2,800 lumens, rechargeable lead acid battery, with standard NEMA plug for U.S. | - |
| LF35BASE | Base only, no charger | - |
| LF35CB12 | 12 VDC, charging base | - |
| LF35CBAC | 115-240 VAC, charging base, with standard NEMA plug for U.S. | - |
| LF35CBAE | 240 VAC, charging base, with CEE7 plug for Europe | - |
| LF35TPM | Pole mount adapter for 1-1/8" poles, with LF35BASE | - |

DIMENSIONS



WARNING: This product may contain chemicals known to the State of California to cause cancer and birth defects or other reproductive harm. For more information, visit whelen.com/regulatory.



W Auditory Warning & Control



CenCom Core-R™

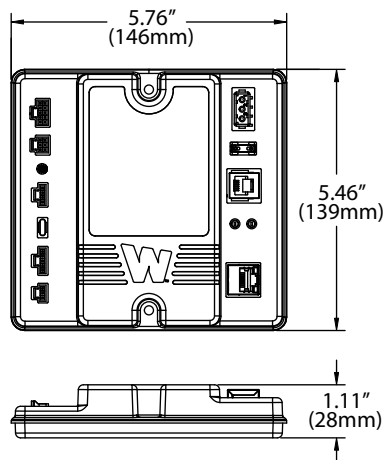
5YR 100 200 DIAG WE CAN X CORE-R POWERED BY WE CAN X.




FEATURES

- Seamlessly integrates with the Whelen Command® software and can support remote firmware updates through the Whelen Cloud Platform®.
- Vehicle-to-Vehicle Sync and DVI™ patterns better convey information to approaching motorists
- Small footprint: 5.76" x 5.46" x 1.11"
- Simple install: Two screws, top access connectors
- Modular design to mount in many different places
- Supports remote firmware updates through USB-C with Whelen Command or over-the-air with The Whelen Cloud Platform
- Command can process over 65,000 virtual inputs.
- High Current Remote Expansion Module integrates scene-lights into WeCanX® system control
 - Operates high current lightheades such as scene lights, eight 75 watt or four 150 watt Pioneer™ lightheades
 - 4 outputs at 15 amps each
- Meets all applicable SAE and California Title XIII
- Processes over 65,000 virtual inputs

DIMENSIONS

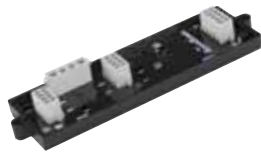


 WARNING: This product may contain chemicals known to the State of California to cause cancer and birth defects or other reproductive harm. For more information, visit whelen.com/regulatory.

CenCom Core®



CENCOM
CORE POWERED BY WECANX.



Remote Module: CEM16



Control Point



External Amplifier: CEXAMP



Amplifier Control Module: C399



21-Button Control Head: CCTL7



Slide Switch Control Head: CCTL6



5-Position Progressive Control Head: CCTL5

FEATURES

- Access every connector and fuse from the top of the box
- Supports remote firmware updates through USB-C with Whelen Command® or over-the-air with The Whelen Cloud Platform®
- Supports up to 99 WeCanX® devices - the most ever in a Whelen control system
- Support multiple Whelen peripherals of the same type on the same vehicle
- Meets all applicable SAE and California Title XIII requirements with various Whelen speakers

- Processes over 65,000 virtual inputs

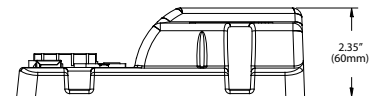
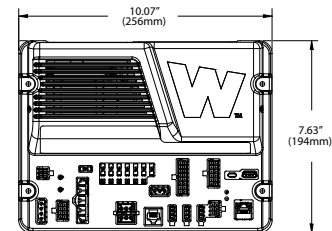
WECANX FEATURES

- Supports any combination of 99 WeCanX devices, including support for multiple Whelen peripherals of the same type on the same vehicle
- All CANport™ signals are configurable as triggerable Events (Our original WeCan only supports 8 CANport signals)

MODELS

| Models | Description |
|----------|---|
| C399 | CenCom Core® Amplifier Control Module |
| CCTL5 | Handheld Control Head and Microphone |
| CCTL6 | WeCanX® Slide and Rotary Knob Control Head |
| CCTL7 | WeCanX Slide and 21 Push-Button Control Head |
| CCTLHARN | Control head harness kit, for use with any non-primary control head |
| CEM8 | WeCanX 8 Output Expansion Module (4 input modules) |
| CEM16 | WeCanX 16 Output Expansion Module (4 input modules) |
| CTA | WeCanX Traffic Advisor™ Module (Traffic Advisor purchased separately) |
| CEXAMP | WeCanX External Amplifier |
| CHOWLER | WeCanX Howler™ Siren |
| CV2V | WeCanX Vehicle-to-Vehicle Synchronization Module (includes internal antenna) |
| CCP | Control point for use with WeCanX devices when NOT using CenCom Core or Core-R® |
| CEM4HC | WeCanX High current Remote Expansion Module, 4-15 amp output |
| C399K1 | Installation Kit for C399 for 2016-2019 Ford Interceptor Utility, 2020-2021 Ford Interceptor Utility used with Factory Option 61B, 2016-2020 Ford F-150, 2018-2019 Ford, F-250/350/450/550, Expedition and Transit 150/250/350, 2017-2019 Ford Fusion (All Models), 2020 Ford Fusion Hybrid and 2016-2017 Dodge Charger |
| C399K2 | Installation Kit for C399 for Chevy, 2017-2020 Tahoe, 2017-2018 Silverado 1500, 2019-2021 Silverado 1500 (New Body Style), 2017-2019 Silverado 2500/3500, 2019-2021 Colorado 1500, 2019 Impala, 2018-2020 Suburban |
| C399K3 | Installation Kit for C399 for 2018-2021 Ram Classic 1500, 2019-2021 Ram 1500, and 2018-2021 Dodge Charger and Durango |
| C399K4 | Installation Kit for C399 for the 2020-2021 Ford Utility |
| C399K5 | Installation Kit for C399 for the 2020-2021 Ford Transit, Super Duty, and Expedition |
| C399K6 | Installation Kit for C399 for the 2021 Chevy Tahoe and Suburban |
| C399K7 | Installation Kit for C399 for the 2021 Ford F-150 |

DIMENSIONS



WARNING: This product may contain chemicals known to the State of California to cause cancer and birth defects or other reproductive harm. For more information, visit whelen.com/regulatory.

CenCom Carbide™



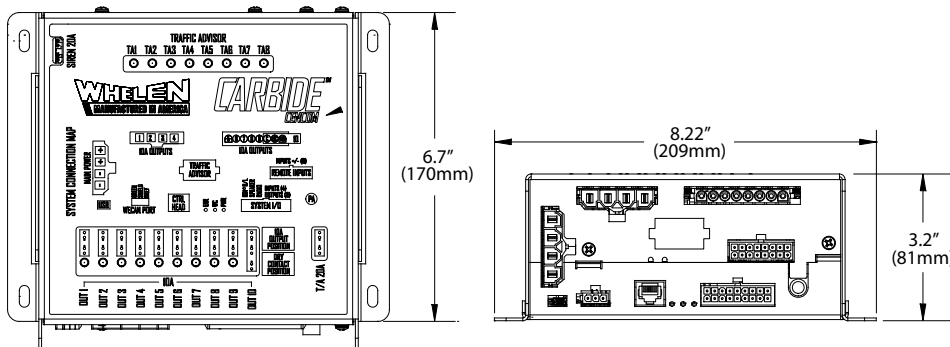
FEATURES

- SAE Class 1 Certified
- Control warning lights, siren, and Traffic Advisor™
- Completely configurable by the user
- Four programmable inputs
- Eighteen programmable outputs
- Visit www.whelen.com for a full list of available options

MODELS

| Models | Description |
|----------|---|
| CCSRN4 | Amplifier control module |
| CCSRN4A | Amplifier control module with 8 input expansion module |
| CCSRNT4 | Amplifier control module with Traffic Advisor module |
| CCSRNT4A | Amplifier control module with 8 input expansion module and Traffic Advisor module |
| CCSRN5 | Amplifier control module with CANport® OBDII Interface module |
| CCSRNT5 | Same as CCSRNT5, except with Traffic Advisor module |

DIMENSIONS



WARNING: This product may contain chemicals known to the State of California to cause cancer and birth defects or other reproductive harm. For more information, visit whelen.com/regulatory.

CenCom Sapphire™



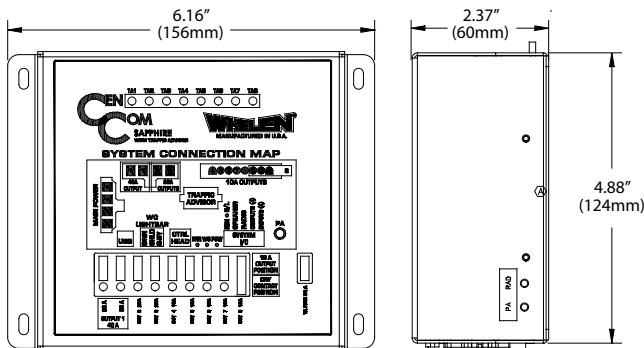
FEATURES

- Control warning lights, siren, and Traffic Advisor™
- Four positive or negative inputs, twelve outputs
- Each button is individually customizable
- Push-buttons include choice of function labels
- Available with or without integrated Traffic Advisor
- Integrated load management and shutdown delay timer
- Visit www.whelen.com for a full list of available options

MODELS

| Models | Description |
|----------|---|
| CCSRN3 | Amplifier control module, with 18 push-button control head |
| CCSRN3A | Amplifier control module, with 18 push-button control head, and 8 input expansion module |
| CCSRNTA3 | Amplifier control module, with 18 push-button control head, and Traffic Advisor module |
| CCSRNT3A | Amplifier control module, with 18 push-buttons control head, 8 input expansion module, and Traffic Advisor module |
| CCSRN35 | Amplifier control module, with 9 push-button handheld control head |
| CCSRNT35 | Amplifier control module, with 9 push-button handheld control head and Traffic Advisor module |
| CCSRN36 | Amplifier control module, with 8 push-button control head |
| CCSRN3F | Amplifier control module, with 8 push-button control head and 8 input expansion module |
| CCSRNT36 | Amplifier control module, with 8 push-button control head and Traffic Advisor module |
| CCSRNT3F | Amplifier control module, with 8 push-button control head, 8 input expansion module, and Traffic Advisor module |

DIMENSIONS



WARNING: This product may contain chemicals known to the State of California to cause cancer and birth defects or other reproductive harm. For more information, visit www.whelen.com/regulatory.

HHS3200 & HHS4200



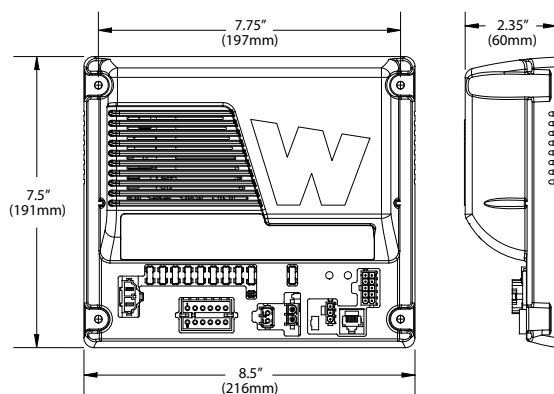
FEATURES

- Control warning lights, siren, and Traffic Advisor™
- Four positive or negative inputs, twelve outputs
- Each button is individually customizable
- Push-buttons include choice of function labels
- Available with or without integrated Traffic Advisor
- Integrated load management and shutdown delay timer
- Visit www.whelen.com for a full list of available options

MODELS

| Models | Description |
|---------|---|
| HHS3200 | Siren amplifier with handheld controller (CANCTL5) 5-Position progressive light/siren control, 9 push-buttons |
| HHS3206 | Siren Amplifier with controller (CANCTL6) 8 push-buttons, 4-position slide switch with a 7-position rotary knob |
| HHS3207 | Siren amplifier with controller (CANCTL7) 21 push-buttons, 4-position slide switch |
| HHS4200 | Same as HHS3200, except with WeCan port 5-Position progressive light/siren control, 9 push-buttons |
| HHS4206 | Same as HHS3206, except with WeCan port 8 push-buttons, 4-position slide switch with a 7-position rotary knob |
| HHS4207 | Same as HHS3207, except with WeCan port 21 push-buttons, 4-position slide switch |

DIMENSIONS



WARNING: This product may contain chemicals known to the State of California to cause cancer and birth defects or other reproductive harm. For more information, visit whelen.com/regulatory.

295 Series Electronic Sirens



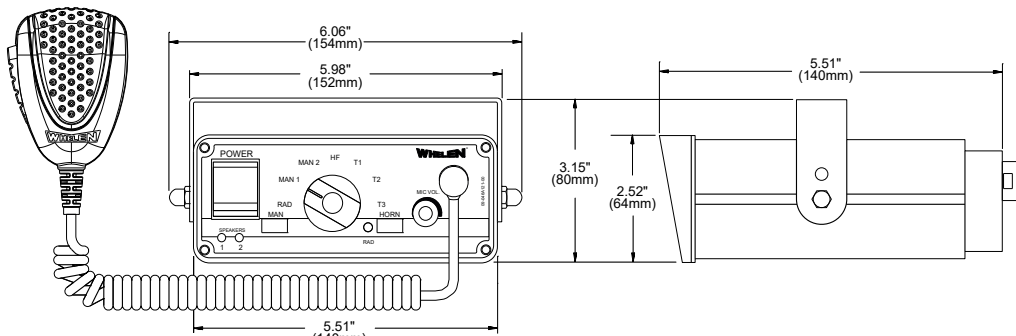
FEATURES

- Combination On/Off and horn ring transfer switch
- Models available with SI TEST®, a silent, self-diagnostic indicator of siren or speaker failure
- Input polarity protection
- Solid-state over/under voltage shutdown and output short circuit protection
- Recess or bail bracket for under dash mounting
- Visit www.whelen.com for a full list of available options

MODELS

| Models | Description |
|----------|--|
| 295SDA1 | Dual tone siren, with full function control head |
| 295SSA1 | Single tone siren with full function control head |
| 295SLSA1 | Siren amplifier with Scan-Lock™ siren tones |
| 295HFS2 | Remote siren amplifier (flush mount head) |
| 295HFS2X | Remote siren amplifier (flush mount head) with dual amplifiers, meets California Title 13 requirements |
| 295SLSA6 | Single unit siren with control head with park kill & timed out relay, and Scan-Lock siren tones |
| 295HFSA7 | Remote dual siren amplifier, with flush mount control head, meets California Title 13 requirements |
| 295HFSC9 | Self-contained full function siren, with removable microphone |
| 295SL100 | Full function siren with and heavy-duty microphone |
| 295SL101 | Full function siren and heavy-duty plug-in microphone with volume control knob |

DIMENSIONS



Howler™ Siren System



HOWLER

CHOWLER

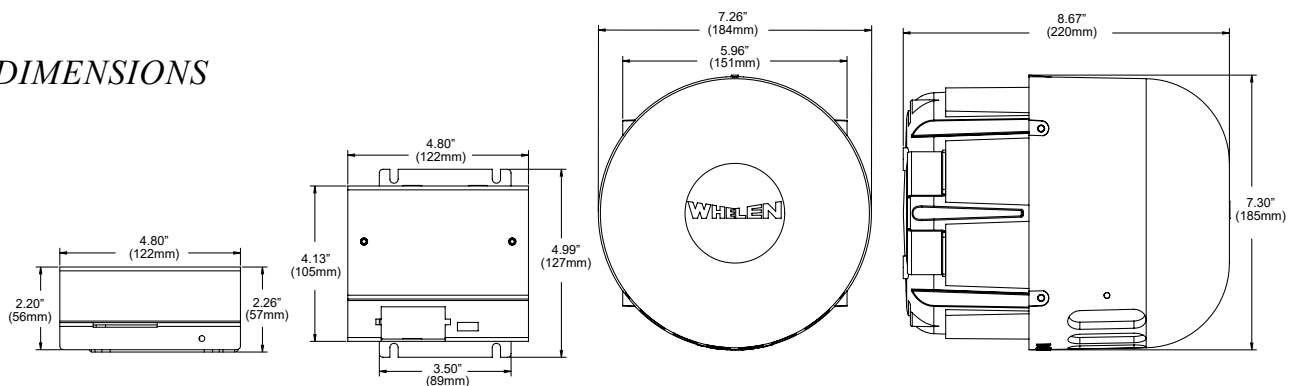
FEATURES

- Low frequency siren and speaker system
- Provides deep tones to penetrate other vehicles
- Howler is an add-on to any 100/200 watt siren amplifier and is not a replacement to the vehicles primary siren
- Uses low frequency tones to synchronize with the vehicles primary siren tones
- Works with any sweeping, Hi/Low, or electronic mechanical tones generated by the primary siren
- Certain vehicle models may utilize single or dual speaker systems
- Visit www.whelen.com for a full list of available options

MODELS

| Models | Description |
|---------|--|
| HOWLER | Siren amplifier with two speakers, optional vehicle specific mounting brackets |
| HWLRB2 | Howler mounting bracket for 2008-2017 Ford Expedition |
| HWLRB14 | Howler mounting bracket for 2011-2018 Dodge 4500/5500 |
| HWLRB18 | Howler mounting bracket for 2012-2016 Chevy 2500/3500 Silverado and Suburban |
| HWLRB23 | Howler mounting bracket, universal mounting brackets (pair) |
| HWLRB24 | Howler mounting bracket for 2017-2018 Chevy Silverado 1500 |
| HWLRB25 | Howler mounting bracket for 2017-2020 Chevy Tahoe, front and rear two speaker system. |
| HWLRB26 | Howler mounting bracket for 2017-2019 Chevy 2500/3500 Silverado |
| HWLRB27 | Howler mounting bracket for 2018-2020 Ford Expedition SSV, includes built-in mounting for SA315P speaker |
| HWLRB30 | Howler mounting bracket for 2019 - 2020 Ram 4500/5500 |
| HWLRB31 | Howler mounting bracket for 2019 - 2021 Ram 1500, includes built-in mounting for SA315P speaker |

DIMENSIONS



WARNING: This product may contain chemicals known to the State of California to cause cancer and birth defects or other reproductive harm. For more information, visit www.whelen.com/regulatory.

Gamma™ System



FEATURES

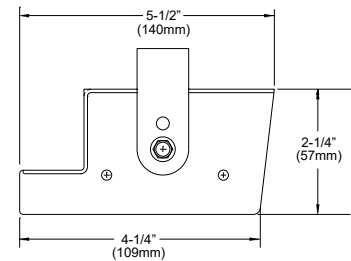
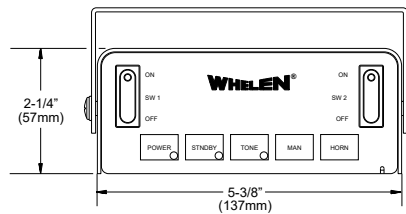
- Meets SAE Class A and California Title XIII requirements for sound output when paired with one Whelen 100 watt speaker
- Two On/Off 20 amp auxiliary rocker switches with LED "On" indicators control auxiliary equipment
- Stand-by button provides hands-free operation/override from horn ring
- Tone button activates Wail tone (may be programmed for other tones)
- Horn button activates Airhorn tone
- Manual button activates up to three tones pre-selected by the user
- Visit www.whelen.com for a full list of available options



MODEL

| Models | Description |
|--------|---|
| GAMMA2 | Gamma Series hands-free siren with two auxiliary switches |

DIMENSIONS



WSSC30 Speaker



FEATURES

- Combination siren and speaker in a single unit
- Four modes of operation
- Hands-free operation for Wail and Yelp tones
- Two way "L" mounting bracket
- Airhorn switch produces airhorn as a main tone and an override tone
- Housing and water-resistant connectors provide vibration and moisture resistance
- Motorcycle switch available
- Visit www.whelen.com for a full list of available options

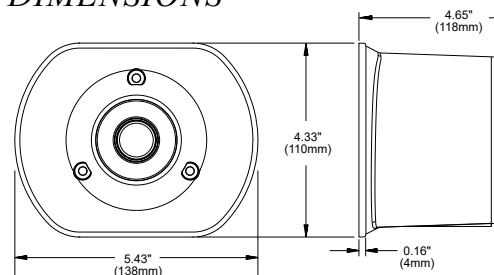


Optional motorcycle switch

MODELS

| Models | Description |
|---------|---|
| WSSC30 | Combination remote siren/speaker |
| WSSPA30 | Combination remote siren/speaker with standard microphone |

DIMENSIONS



WARNING: This product may contain chemicals known to the State of California to cause cancer and birth defects or other reproductive harm. For more information, visit www.whelen.com/regulatory.

Siren Speakers

2YR 12 100



FEATURES

- SA315P & SA314 Series for bumper, concealed or flange mount, installs to vehicle's cross member in minutes
- UnderPro™ ambulance speakers are left or right side mounted
- Bumper mount speakers for the 2015-2018 Ford Transit
- Visit www.whelen.com for a full list of available options

MODELS

| Models | Description |
|----------|---|
| SA315P | Projector™ Series nylon composite, multi-port speaker |
| SA314A | Projector Series small profile cast aluminum speaker |
| SA314B | Projector Series small profile cast aluminum speaker, Black epoxy coated finish |
| SP123BMC | Projector Series bumper mount speaker |
| SA31101P | UnderPro single speaker for International 4300/4400 Series, 2001-2017, passenger side |
| SA31101D | UnderPro single speaker for International 4300/4400 Series, 2001-2017, driver side |
| SPT5P | Bumper mount speaker for 2015-2018 Ford Transit, passenger side |
| SPT5D | Bumper mount speaker for 2015-2018 Ford Transit, driver side |

 WARNING: This product may contain chemicals known to the State of California to cause cancer and birth defects or other reproductive harm. For more information, visit whelen.com/regulatory.

Economical Sirens & Airhorns

2YR  12  100




FEATURES

- Alpha™ sirens deliver 100 or 200 watts of siren warning power, hands-free operation, multiple warning tones, and horn ring override capabilities
- Beta™ sirens meet budget sensitive demands for 200 watt siren warning performance, public address, radio repeat capability, and Hands-Free operation
- WPA sirens with public address feature a water resistant control head and 2 lighted rocker switches
- Alpha sirens feature 2 lighted rocker switches for lights/auxiliary and wail/ yelp, and 2 non-lighted switches for override/airhorn and volume Hi/Low
- Power Airhorn siren amplifiers create the same familiar airhorn sound used by Police, Fire, and EMS in any type of vehicle
- Consult current price list for full mounting options
- See model specific pages for dimensions

MODELS

| Models | Description |
|----------|--|
| ALPHA12S | Alpha Series, self-contained siren, with faceplate switches |
| ALPHASL | Alpha Series, remote siren, for use with remote switches |
| BETA112R | Beta Series, full function remote siren, for use with remote switches |
| BETA1 | Beta Series, full function control head only, with 15' interconnect harness |
| BETA2 | Beta Series, full function control head only, weather resistant, with 20' cable |
| WPA112 | WPA Series, waterproof siren amplifier, for a single 100 watt speaker |
| WPA3BM | WPA Series, full function control head with waterproof switches and microphone jack, 20' cable |
| PAH112 | PA Series, air horn tone only siren, for a single 100 watt speaker |
| PAP112 | PA Series, air horn tone plus public address siren, includes microphone |
| GAMMA2 | Gamma Series, hands-free siren with two auxiliary switches |

 WARNING: This product may contain chemicals known to the State of California to cause cancer and birth defects or other reproductive harm. For more information, visit whelen.com/regulatory.

Flashers, & Switches

5YR \approx 12 \approx 24 IP67

W Visit the whelen website for details
whelen.com/auto/index



MODELS

| Models | Description |
|----------|---|
| PCCS9RW | Switch control for standard switching |
| PCCS9LW | Programmable switch control for Liberty [®] II & Freedom [®] IV lightbars |
| PCC4W | Switch box with four 25 AMP SPST switches |
| PCC6W | Switch box with six 25 AMP SPST switches |
| PCC6W1 | Switch box with five 25 AMP SPST switches and a momentary switch |
| PCC10W | Switch box with ten 25 AMP SPST switches |
| PCC10W1 | Switch box with nine 25 AMP SPST switches and a momentary switch |
| PCC8R | 8 Position key pad with remote relay module |
| WCC9 | WeCan [®] controller for lights and Traffic Advisor [®] functions, for Justice [®] and Freedom IV WeCan [®] lightbars only |
| WCC92 | WeCan [®] controller for lights and Traffic Advisor functions, for Liberty II SOLO [™] and DUO [™] , Legacy [®] SOLO and DUO, and Freedom IV WeCan lightbars only |
| AFM1660 | 16 Outlet flasher for halogen, LED or Super-LED [®] ambulance lighthoods |
| AFM560 | 5 Outlet flasher for halogen, LED or Super-LED ambulance lighthoods |
| AFL530 | 5 Outlet flasher for LED, or Super-LED ambulance lighthoods |
| SSFPOS | 2 Outlet flasher for Halogen, LED, or Super-LED headlight/grille lights |
| UHF2150A | 2 Outlet flasher with relay, for Halogen, LED, or Super-LED headlight/grille lights |
| ULF44 | 4 Outlet flasher for LED or Super-LED lighthoods |
| UFM8 | 4 Outlet flasher, for Halogen, LED or Super-LED lighthoods |
| SLFLASH | 8 Outlet flasher for LED lighthoods |

⚠ WARNING: This product may contain chemicals known to the State of California to cause cancer and birth defects or other reproductive harm. For more information, visit whelen.com/regulatory.

Lighting Certifications

KKK 1822-F - Federal Ambulance Specification

CAC, Title 13, Article 22 (Red, Blue and Amber lightheads)

Warning lamps and devices:

SAE J595 - Flashing Warning Lamps for Authorized Emergency, Maintenance, and Service Vehicles (Jan 90)

SAE J845 - 360° Warning Devices for Authorized Emergency, Maintenance, and Service Vehicles (May 97) Class 1, Class 2, Class 3 (Includes selective coverage)

SAE J1318 - Gaseous Discharge Warning Lamp for Authorized Emergency, Maintenance, and Service Vehicles (May 98) Class 1, Class 2, Class 3

Test procedures and materials:

SAE J575 - Test Methods and Equipment for Lighting Devices & Components for use on Vehicles less than 80" (2032mm) in Overall width (Jun 92)

SAE J2139 - Test Methods and Equipment for Lighting Devices & Components for use on Vehicles greater than 80" (2032mm) in Overall width (Jan 96)

SAE J578 - Color Specifications (Jun 95)

Signalling and marking lighting devices and systems:

FMVSS108 - Federal Motor Vehicle Safety Standards

SAE J586 - Stop Lamps for use on Motor Vehicles Less than 80" (2032mm) in Overall width (Sep 95)

SAE J585 - Tail Lamps (Rear position Lamps) for Use on Motor Vehicles Less than 80" (2032mm) in Overall width (Dec 94)

SAE J588 - Turn Signal Lamps for Use on Motor Vehicles Less than 80" (2032mm) in Overall width (Dec 94)

SAE J592 - Clearance, Side Marker, Identification Lamps (Dec 94)

SAE J593 - Back-up Lamps (Reversing Lamps) (Oct 95)

SAE J593C - Back-up Lamps (Reversing Lamps) (Feb 68)

SAE J914 - Side Turn Signal Lamps for Vehicles less than 36' (12m) in Length (Jan 95)

SAE J1432 - High Mounted Stop lamps for Use on Vehicles 80" (2032mm) or More in Overall Width (Sept 97)

SAE J1889 - LED Lighting Devices (Jun 99)

SAE J1957 - Center High Mounted Stop Lamp Standard for Vehicles Less than 80" (2032mm) in Overall Width (Jun 93)

SAE J2039 - Side Turn Signals Lamps for Large Vehicles (Jun 94)

SAE J2040 - Tail Lamps (Rear Position Lamps) for Use on Vehicles 80" (2032mm) or More in Overall Width (Apr 99)

SAE J2042 - Clearance, Side marker, and Identification Lamps for Use on Motor Vehicles 80" (2032mm) or More in Overall Width (Jun 96)

SAE J2261 - Stop Lamps and Front and Rear-Turn Signal Lamps for Use on Motor Vehicles 80" (2032mm) or More in Overall Width (Mar 96)

NFPA 1901 - (2009 Edition) For NFPA application consult current NFPA Specification Lighting Packages Catalog

SAE J1398 - Stop Lamps for Use on Motor Vehicles 80" (2032mm) or More in Overall Width

SAE J1395 - Turn Lamps for Use on Motor Vehicles 80" (2032mm) or More in Overall Width

 **WARNING:** This product may contain chemicals known to the State of California to cause cancer and birth defects or other reproductive harm. For more information, visit whelen.com/regulatory.

Product Index

| | | |
|-------------------------------------|----|--|
| O | | |
| OS™ Series Lighthoods | 44 | |
| 2 | | |
| 2" Round Lighthoods | 47 | |
| 295 Series Sirens | 73 | |
| 2G Series Lighthoods | 53 | |
| 3 | | |
| 3" Round Lighthoods | 47 | |
| 4 | | |
| 4" Round Lighthoods | 46 | |
| 400 Series Lighthoods | 35 | |
| 4500 Build-A-Bar | 11 | |
| 5 | | |
| 500 Series Lighthoods | 35 | |
| 5G Series Lighthoods | 53 | |
| 6 | | |
| 6" Round Lighthoods | 53 | |
| 600 Series Lighthoods | 36 | |
| 7 | | |
| 700 Series | 37 | |
| 8 | | |
| 8" Round Lighthoods | 53 | |
| 9 | | |
| 900 Series | 37 | |
| A | | |
| Arges® Remote Spotlight | 55 | |
| Avenger® II Series Lights | 28 | |
| B | | |
| B6 Series | 24 | |
| Back-Up Lights | 51 | |
| Brake/Tail/Turn Lights | 49 | |
| C | | |
| Cenator® Series Lightbar | 12 | |
| CenCom Carbide™ | 70 | |
| CenCom Core™ | 69 | |
| CenCom Core-R™ | 68 | |
| CenCom Sapphire™ | 71 | |
| D | | |
| Dominator™ & Dominator Plus™ Series | 17 | |
| E | | |
| Economical Sirens and Airhorns | 77 | |
| F | | |
| Flashers | 78 | |
| Fluorent Plus™ Interior Lighting | 53 | |
| Freedom® IV DYAD™ Series Lightbars | 3 | |
| Freedom IV DUO™ Lightbars | 3 | |
| Freedom IV Rota-Beam™ Lightbars | 5 | |
| G | | |
| Gamma Speaker | 75 | |
| H | | |
| Handheld Spot/Floodlights | 58 | |
| HHS3200 & 4200 | 72 | |
| Howler™ Siren System | 74 | |
| I | | |
| Inner Edge® FST™ Lightbars | 14 | |
| Inner Edge RST™ Lightbars | 13 | |
| Interior Lighting | 53 | |
| ION™ Series Lighthoods | 38 | |
| ION V-Series™ Lighthoods | 40 | |
| ION Mini T-Series™ Lighthoods | 39 | |
| ION T-Series Lighthoods | 39 | |
| J | | |
| Justice® Series Lightbars | 6 | |
| L | | |
| L31 & L32 Series Beacons | 26 | |
| Legacy® Series Lightbars | 9 | |
| Liberty™ II Series Lightbars | 7 | |
| LIN3™ Series Lighthoods | 48 | |
| LINV2™ V-Series Lighthoods | 44 | |
| LINZ6™ Series Lighthoods | 48 | |
| M | | |
| M2 & M4 Lighthoods | 33 | |
| M6 & M7 Lighthoods | 32 | |
| M9 Lighthoods | 31 | |
| Micro Freedom Series | 20 | |
| Micron™ Series Lighthoods | 41 | |
| Mini Freedom IV Lightbars Series | 19 | |
| N | | |
| NFPA Lightbars | 2 | |
| O | | |
| Outer Edge® Lightbars | 15 | |
| P | | |
| PAR-36 & PAR-46 | 57 | |
| PAR Replacement Lamps | 56 | |
| Pioneer LiFe™ | 66 | |
| Pioneer Micro™ | 64 | |
| Pioneer Nano™ | 65 | |
| Pioneer SlimLine™ | 63 | |
| Pioneer Summit™ | 60 | |
| Pioneer Surface Mount | 62 | |
| Pioneer Plus™ | 61 | |
| R | | |
| Rota-Beam R316 & R416 Series | 25 | |
| Rubber Housing Spot/Floodlights | 59 | |
| S | | |
| Scenelights | 52 | |
| Siren Speakers | 76 | |
| SlimLighter® Series Lights | 29 | |
| SpitFire ION™ Series | 29 | |
| Strip-Lite™ Plus | 42 | |
| Strip-Lite Plus XL | 43 | |
| SurfaceMax™ Lighthoods | 34 | |
| Switches | 78 | |
| T | | |
| TIR3™ Lighthoods | 48 | |
| Tracer™ | 16 | |
| Traffic Advisor™ | 21 | |
| Turn Signals | 50 | |
| V | | |
| Vertex™ Series Lighthoods | 45 | |
| V23™ Series Lighthoods | 41 | |
| W | | |
| WSSC30 Speaker | 75 | |


Notice:

Dimensions indicated for products are within +/- 1/16" (1.58mm) tolerance. Metric equivalents are rounded to nearest whole number. For special applications requiring more precise measurement, contact factory.

Prior to using any interior light, consult your vehicle's owner manual to insure proper use with air bag safety systems.

The use of a magnetic or suction mounted beacon on the roof of a vehicle in motion is not recommended, and is at the sole discretion and risk of the user.

Whelen Engineering reserves the right to upgrade and improve products without notice.

 **WARNING:** This product may contain chemicals known to the State of California to cause cancer and birth defects or other reproductive harm. For more information, visit whelen.com/regulatory.



WHELEN®

Distributed by:



WhelenEng



ISO 9001 Registered QMS

Whelen Engineering reserves the right to upgrade and improve products without notice.

© 2022 Whelen Engineering Company, Inc.
11032AB - 11/11/2022

Whelen Engineering Company

| (860) 526-9504

| www.whelen.com